

ITEM NO.	PART NUMBER	DESCRIPTION	
1	MFC20177	LS1 Upper A/C Relocation Bracket	1
2	MFC20178	LS1 Lower Auto Tension A/C Relocation Bracket	1
3	MFC20196	LS1 A/C Compressor Manifold	1
4	CM7020	A/C Compressor -LS1	1
5	12560345	A/C Tensioner & Pulley LS1/LS2/LS3	1
6	4PK980	Drive Belt - Poly Rib	1
7	BH-2170	Screw - M10 x 1.5 x 55mm Button Socket Head - Z/P	2
8	CSK-2015	CSK - M10 x 1.5 x 30mm - Z/P	3
9	BT-2245	Bolt - M10 x 1.5 x 30mm - H/T - Z/P	2
10	BT-2185	Bolt - M10 X 1.5 X 110mm - H/T (8.8) - Z/P	2
11	SHCS-2150	SHCS - M8 x 1.25 x 40mm H/T - Z/P	1
12	SHCS-2050	SHCS - M10 x 1.5 x 40mm - Z/P	1
13	FW-2010	Flat Washer - M10 x 22 x 2mm	6
14	OR9865	LS1 A/C Seal Washer	2

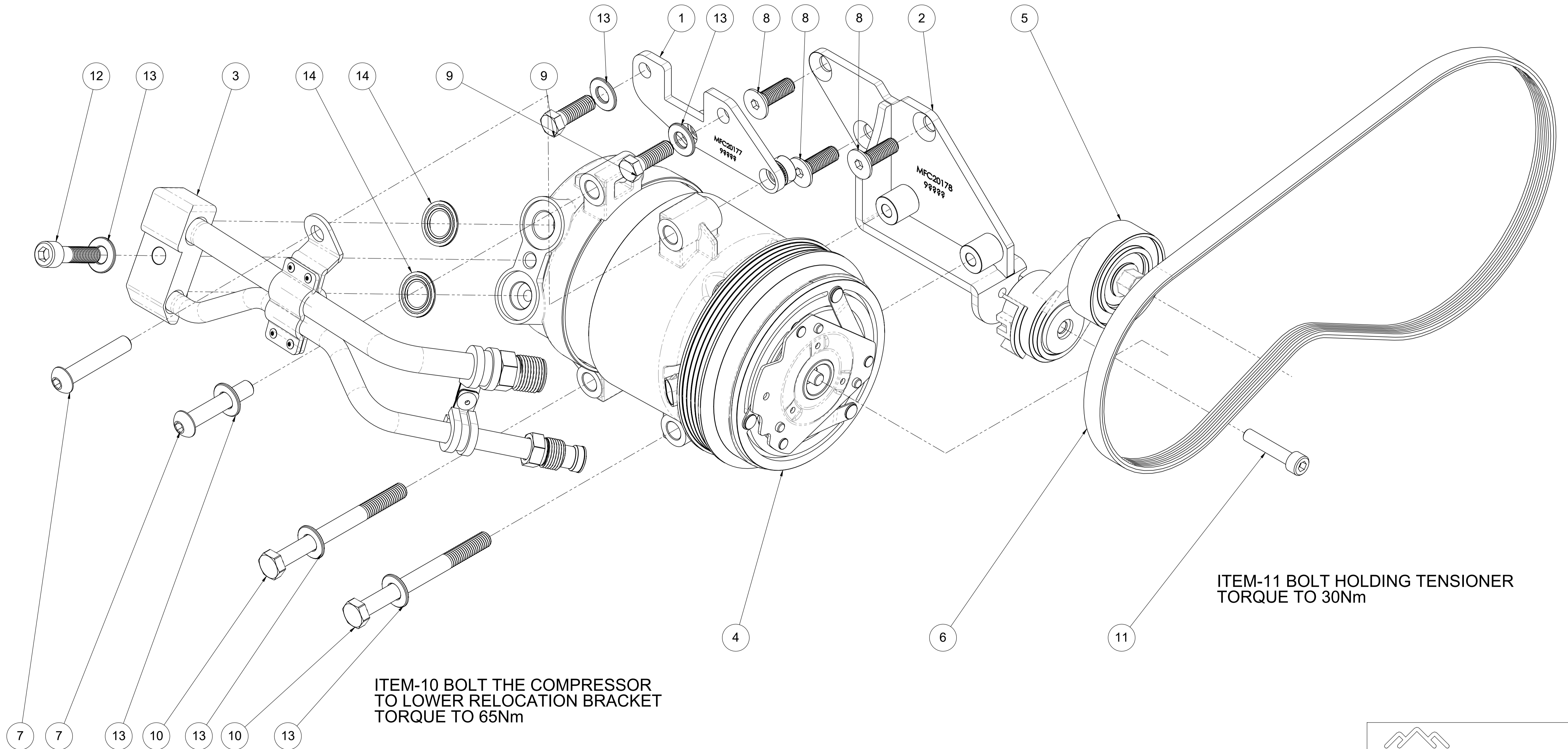
NOTE: REMOVE ORIGINAL STUD FROM ITEM-4

NOTE: MEDIUM THREAD LOCK ON ALL THREADS

ITEM-7 BOLT HOLDING MANIFOLD & COMPRESSOR TO UPPER RELOCATION BRACKET TORQUE TO 45Nm

ITEM-9 HOLDING UPPER RELOCATION BRACKET TO ENGINE BLOCK TORQUE TO 45Nm

ITEM-8 BOLT HOLDING LOWER RELOCATION BRACKET TO ENGINE BLOCK TORQUE TO 45Nm



ITEM-10 BOLT THE COMPRESSOR TO LOWER RELOCATION BRACKET TORQUE TO 65Nm

ITEM-11 BOLT HOLDING TENSIONER TORQUE TO 30Nm



DRAWN	GDK 06/05/2021	TITLE:	LS1/LS2 Auto Tension A/C Relocation Kit
DRAWING CHECKED	PAM 06/05/2021	SCALE: 1:1.25	DRAWING/PART NUMBER
FINISHED WEIGHT: 21.45 kg		DRAWING 2 of 2	REV No. 0
			MFK20176