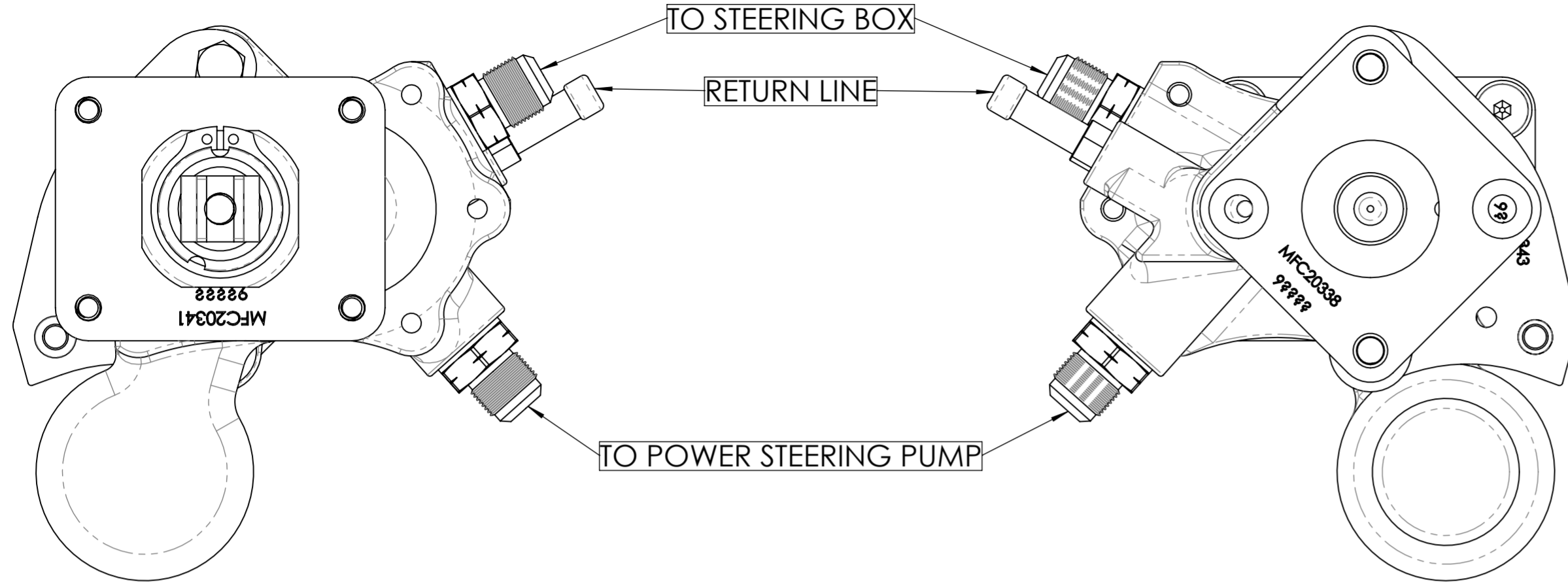


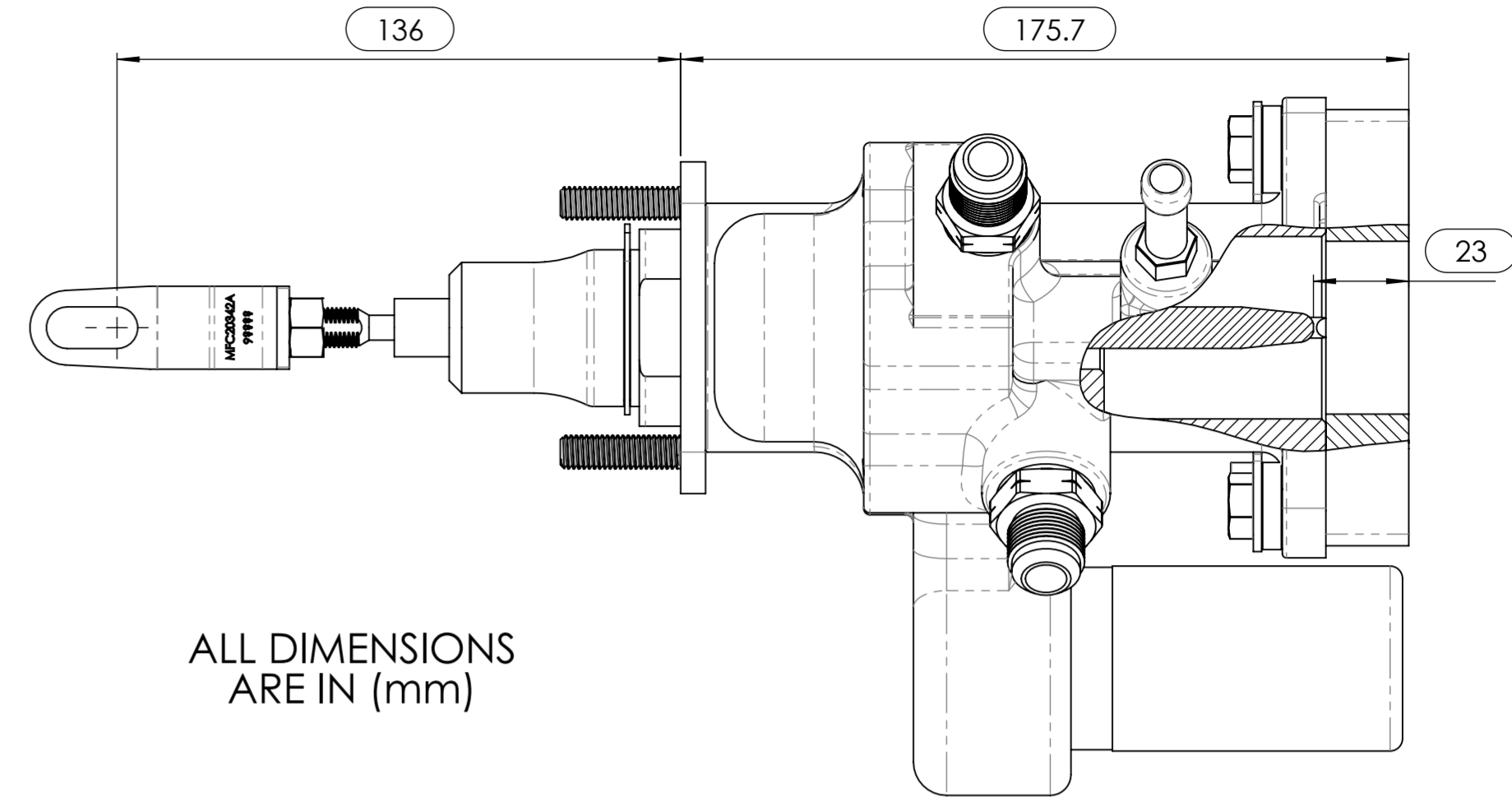
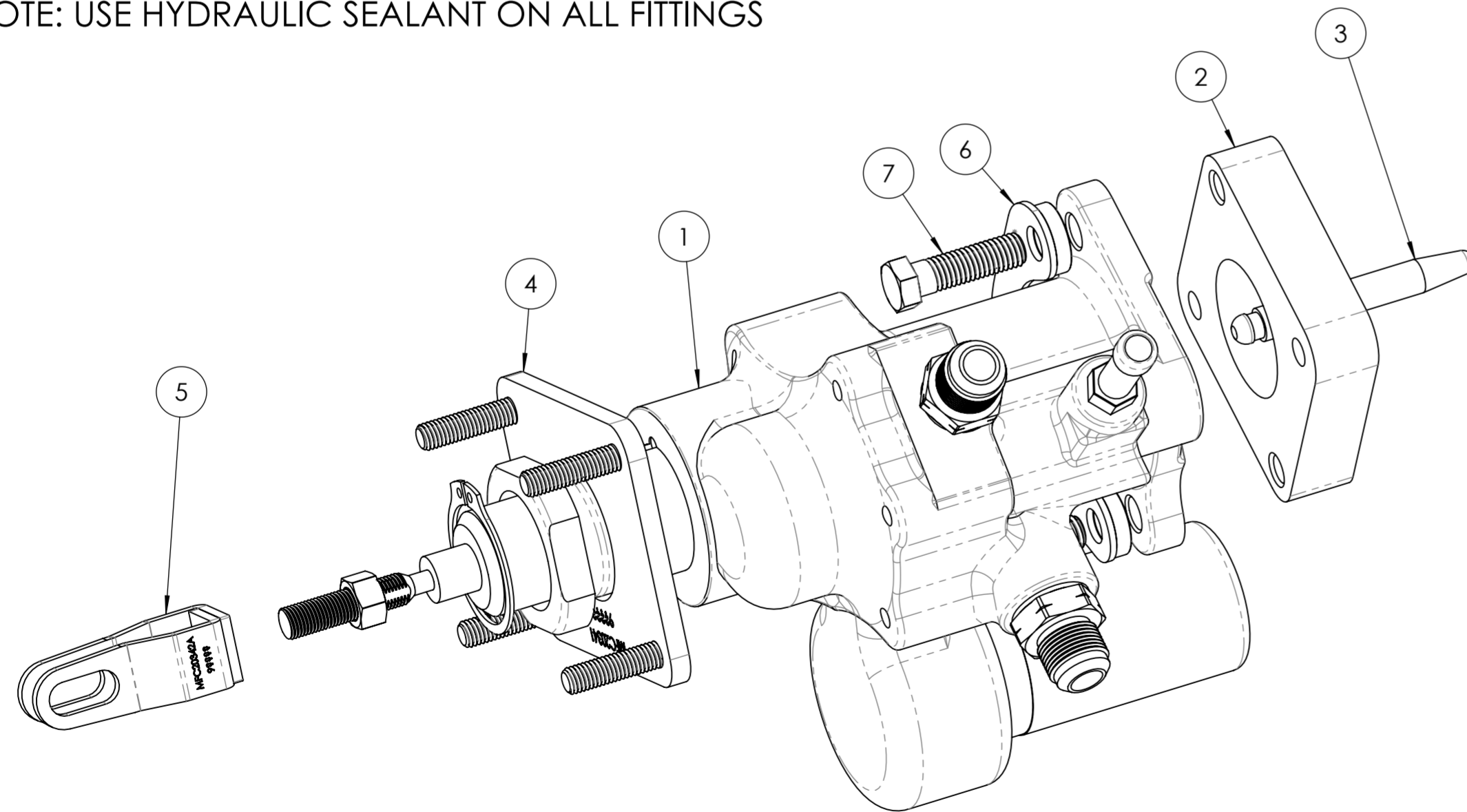
TOP OF VEHICLE



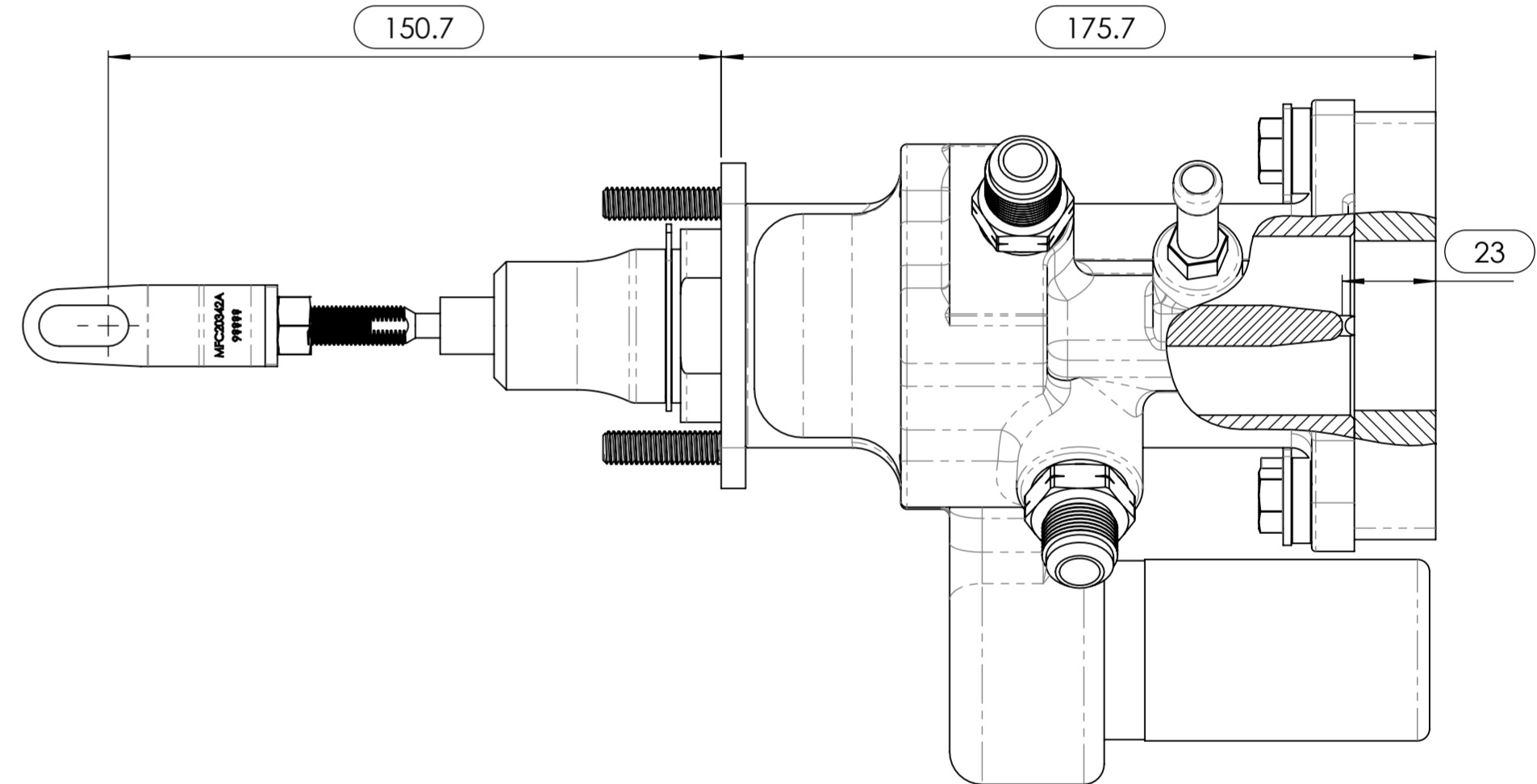
BOTTOM OF VEHICLE

NOTE: RETURN LINE SHOULD BE "T" IN AS CLOSE TO POWER STEERING RESERVOIR AS POSSIBLE

NOTE: USE HYDRAULIC SEALANT ON ALL FITTINGS



ALL DIMENSIONS ARE IN (mm)



ITEM NO.	PART NUMBER	DESCRIPTION	QTY.
1	MFC20190	Hydraulic Brake Booster	1
2	MFC20338	Booster to Master Cyl. Adaptor Toyota VDJ#-ABS	1
3	MFC20339	Booster Pushrod to Master Cyl. Toyota VDJ7# (76mm)	1
4	MFC20341	Booster To Firewall Adaptor Toyota KUN26R	1
5	MFC20342	Booster Stirrup to Toyota KUN26R Brake Pedal	1
6	MFC20343	Brake Master T-Block Bracket Toyota KUN26R	1
7	BT-2250	BOLT - M10 X 1.5 X 35mm - H/T - Z/P	2

MARKS4WD
 385-393 LOWER DANDENONG ROAD,
 DINGLEY, VICTORIA, 3172
 A.B.N. 28 153 842 829

DRAWN	GDK 08/09/2021	TITLE:	Hydraulic Brake Booster to Suit Toyota KUN26R ()	
DRAWING CHECKED	PAM 08/09/2021	SCALE: 1:1.5	DRAWING/PART NUMBER	REV No.
FINISHED WEIGHT: kg		DRAWING 1 of 1	MFG20390	0