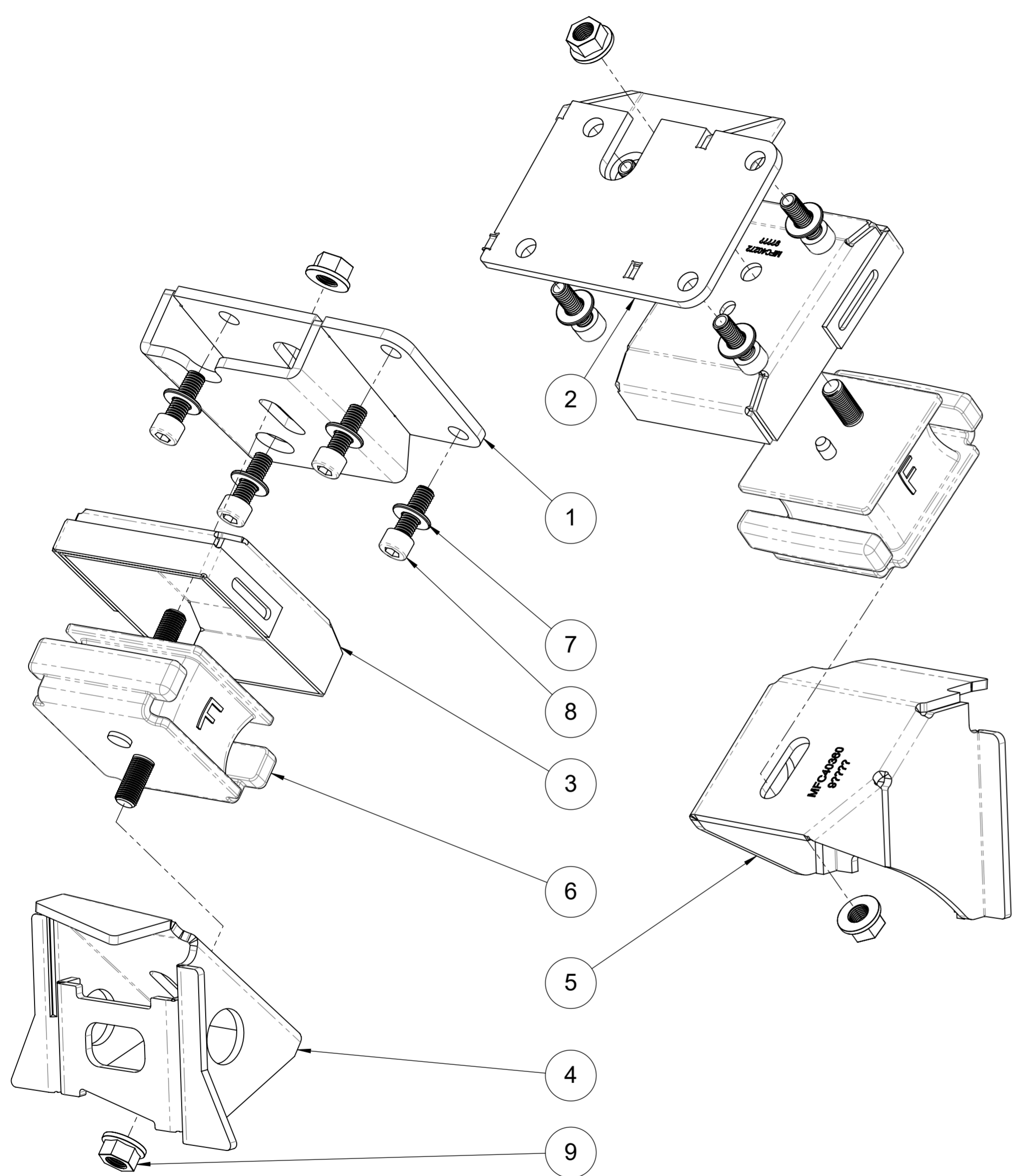
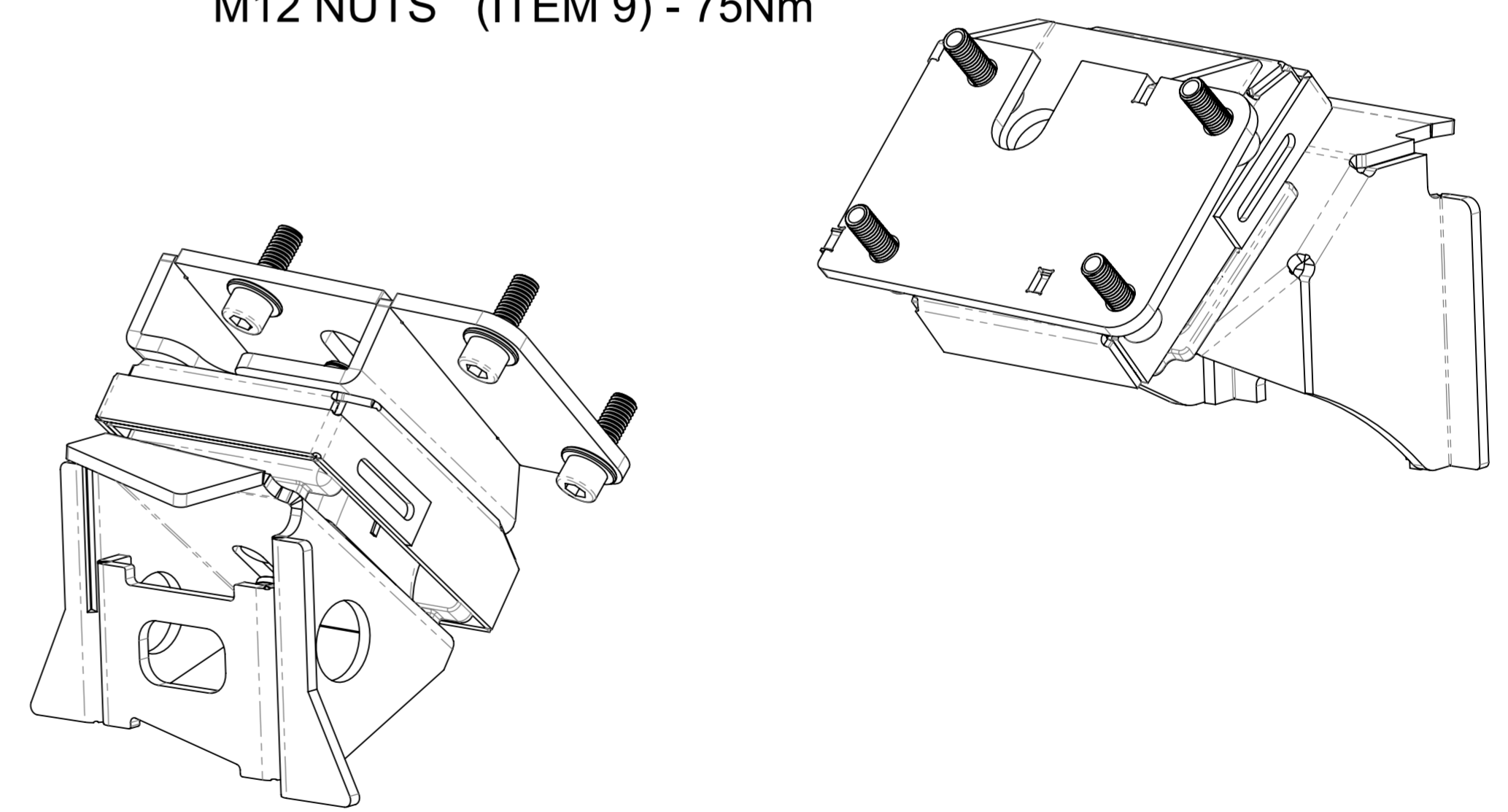


ITEM NO.	PART NUMBER	DESCRIPTION	QTY.
1	MFC1765L	Engine Mount LH LS to L/C	1
2	MFC1765R	Engine Mount RH LS to L/C	1
3	MFC40272	MT8460 Engine Mount Stabiliser	2
4	MFC40355	Chassis Post - Toyota 80/105 to Suit MFK1765 LH	1
5	MFC40360	Chassis Post - Toyota 80/105 to Suit MFK1765 RH	1
6	A5388	Engine Mount	2
7	FW-2010	Flat Washer - M10 x 22 x 2mm	8
8	SHCS-2045	SHCS - M10 x 1.5 x 30mm - Z/P	8
9	208M12125	Nut Flange M12 X 1.25	4



THREAD LOCK COMPOUND
M10 BOLTS (ITEM 8)
M12 NUTS (ITEM 9)
(USE MEDIUM STRENGTH
THREAD LOCK)

TORQUE SPECIFICATIONS
M10 BOLTS (ITEM 8) - 45Nm
M12 NUTS (ITEM 9) - 75Nm



MARKS4WD 385-393 LOWER DANDENONG ROAD,
DINGLEY, VICTORIA, 3172
A.B.N. 28 153 842 829

DRAWN	GDK 27/10/2021	TITLE:	Engine Mount Kit - LS V8 to FJ80	
DRAWING CHECKED	PAM 27/10/2021	()	SCALE:1:2	DRAWING/PART NUMBER
FINISHED WEIGHT: 12.36 kg		DRAWING	1 of 1	REV No.
			MFK1765FJ	0