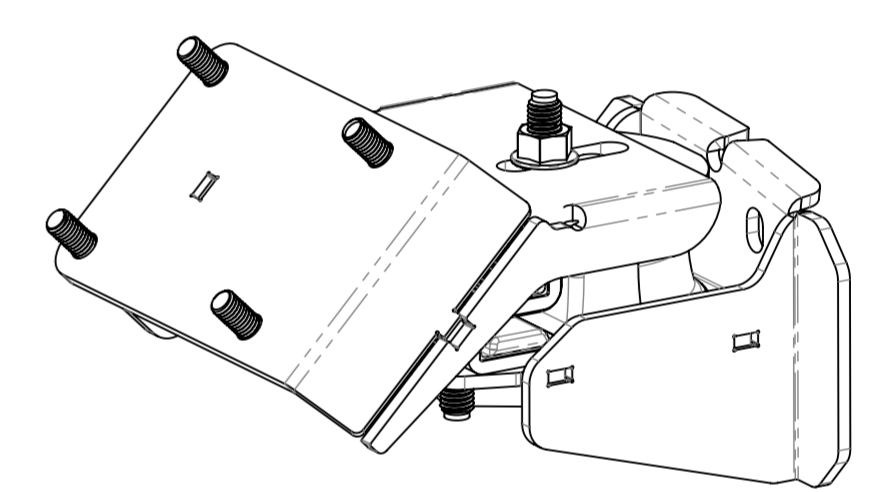
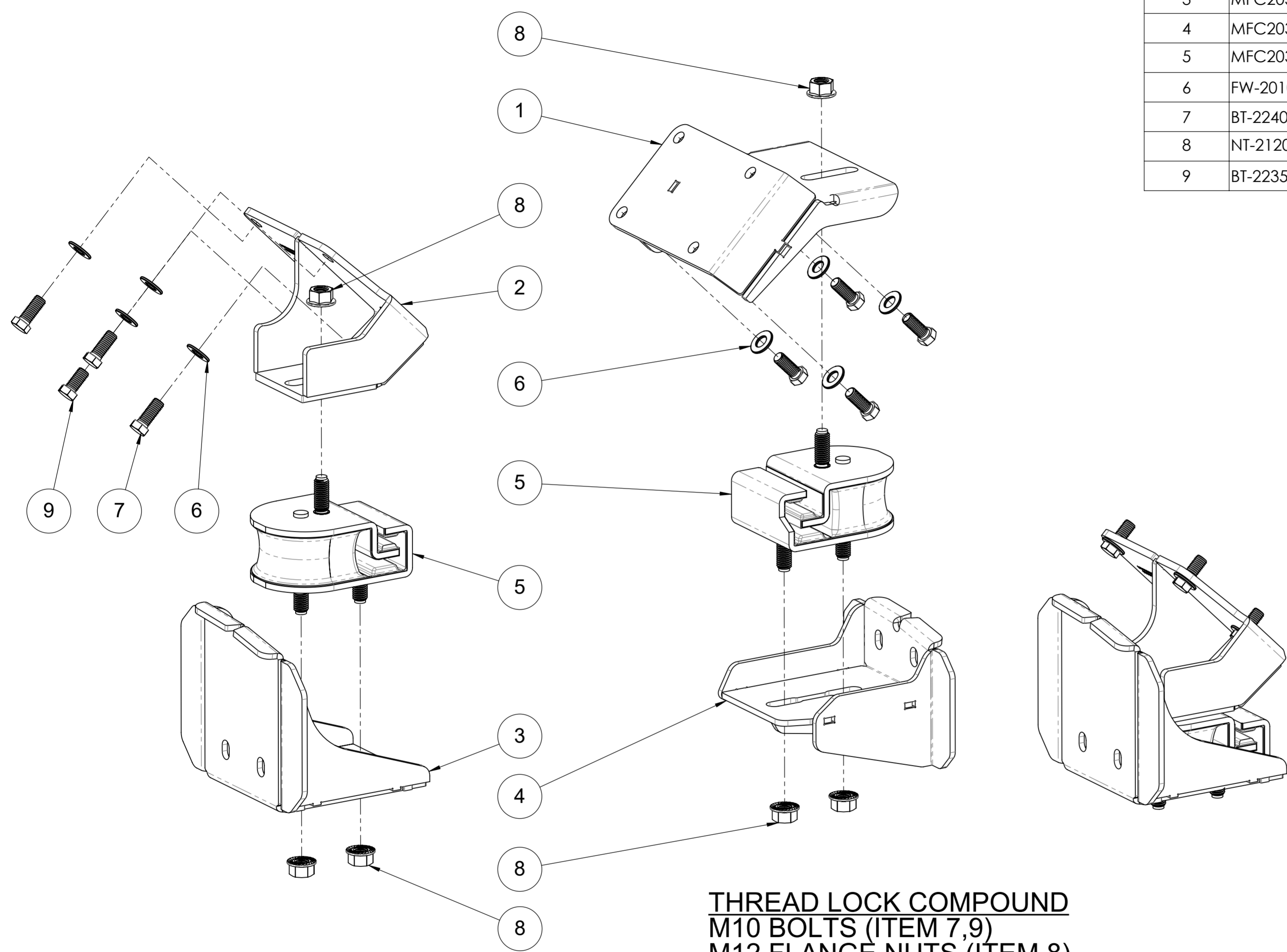


ITEM NO.	PART NUMBER	DESCRIPTION	QTY
1	MFC1821	Engine Mount Bracket LS V8 to GU Patrol RH	1
2	MFC20385	Engine Mount Bracket - LS V8 to GU Patrol L/H	1
3	MFC20383	Chassis Post - GQ/GU Patrol LH	1
4	MFC20384	Chassis Post - GQ/GU Patrol RH	1
5	MFC20389	Engine Mount - Nissan LS HD	2
6	FW-2010	Flat Washer - M10 x 22 x 2mm	8
7	BT-2240	BOLT - M10 X 1.5 X 25mm - H/T - Z/P	7
8	NT-2120	M12 x 1.75 Flanged Nut	6
9	BT-2235	BOLT - M10 X 1.5 X 20mm - H/T - Z/P	1



THREAD LOCK COMPOUND
M10 BOLTS (ITEM 7,9)
M12 FLANGE NUTS (ITEM 8)
(USE MEDIUM STRENGTH
THREAD LOCK)

TORQUE SPECIFICATIONS
M10 BOLTS (ITEM 7,9) - 45Nm
M12 FLANGE NUTS (ITEM 8) - 85Nm



DRAWN	GDK 24/06/2021	TITLE:	Engine Mount Kit - LS V8 to GQ/GU Patrol	
DRAWING CHECKED	PAM 24/06/2021	()	DRAWING/PART NUMBER	REV No.
FINISHED WEIGHT: kg		SCALE:1:2.7	MFK1820	0
		DRAWING		
		1 of 1		