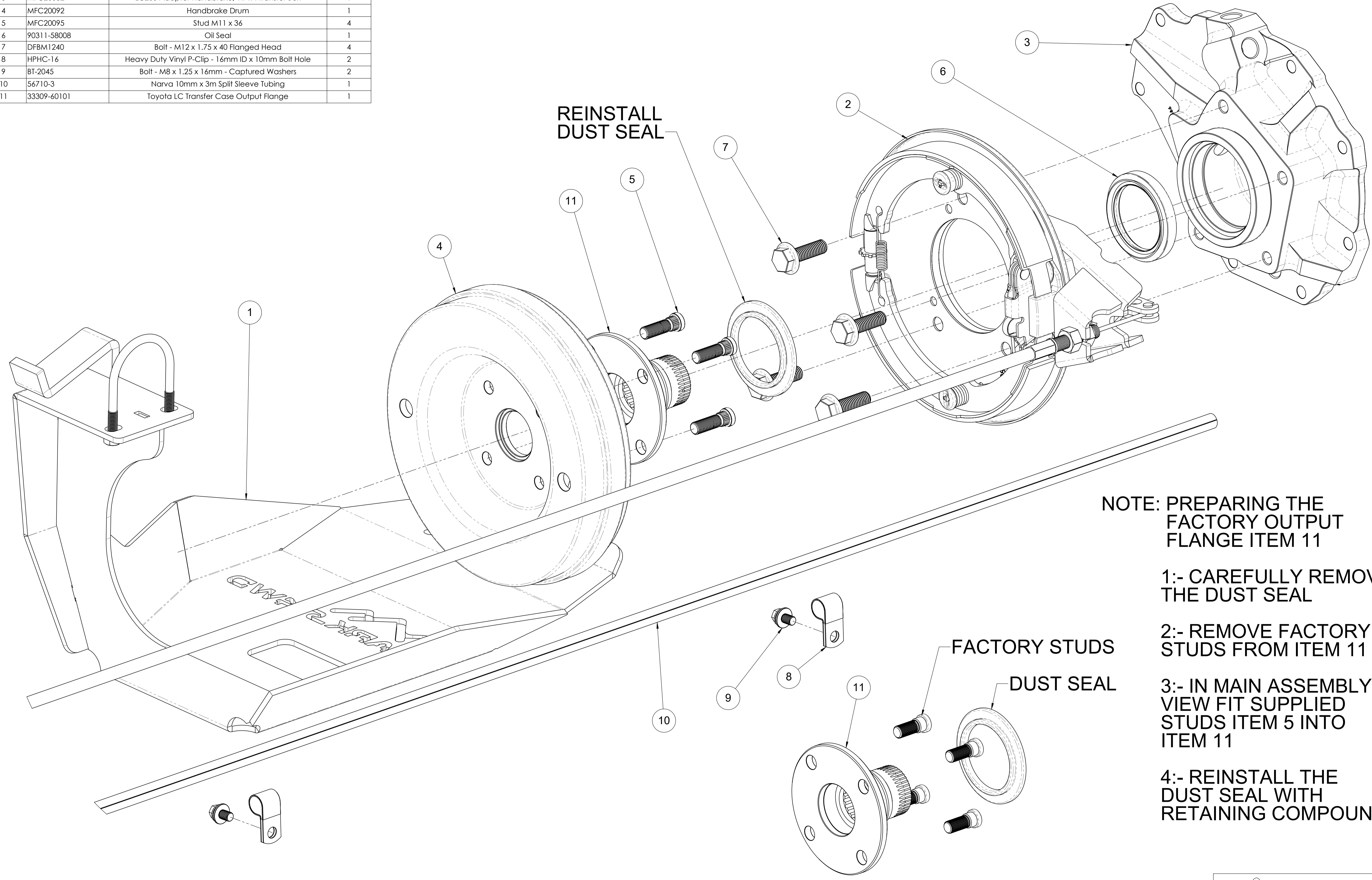


ITEM NO.	PART NUMBER	DESCRIPTION	
1	MFC20076	HF1A Transfer Bash Plate - VD J79 Dual Cab/Wagon	1
2	MFG20080	Handbrake Asembly	1
3	MFC20082	LC200 Adaptor Handbrake/ HF1A Transfer Box	1
4	MFC20092	Handbrake Drum	1
5	MFC20095	Stud M11 x 36	4
6	90311-58008	Oil Seal	1
7	DFBM1240	Bolt - M12 x 1.75 x 40 Flanged Head	4
8	HPHC-16	Heavy Duty Vinyl P-Clip - 16mm ID x 10mm Bolt Hole	2
9	BT-2045	Bolt - M8 x 1.25 x 16mm - Captured Washers	2
10	56710-3	Narva 10mm x 3m Split Sleeve Tubing	1
11	33309-60101	Toyota LC Transfer Case Output Flange	1



REINSTALL DUST SEAL

NOTE: PREPARING THE FACTORY OUTPUT FLANGE ITEM 11

1:- CAREFULLY REMOVE THE DUST SEAL

2:- REMOVE FACTORY STUDS FROM ITEM 11

3:- IN MAIN ASSEMBLY VIEW FIT SUPPLIED STUDS ITEM 5 INTO ITEM 11

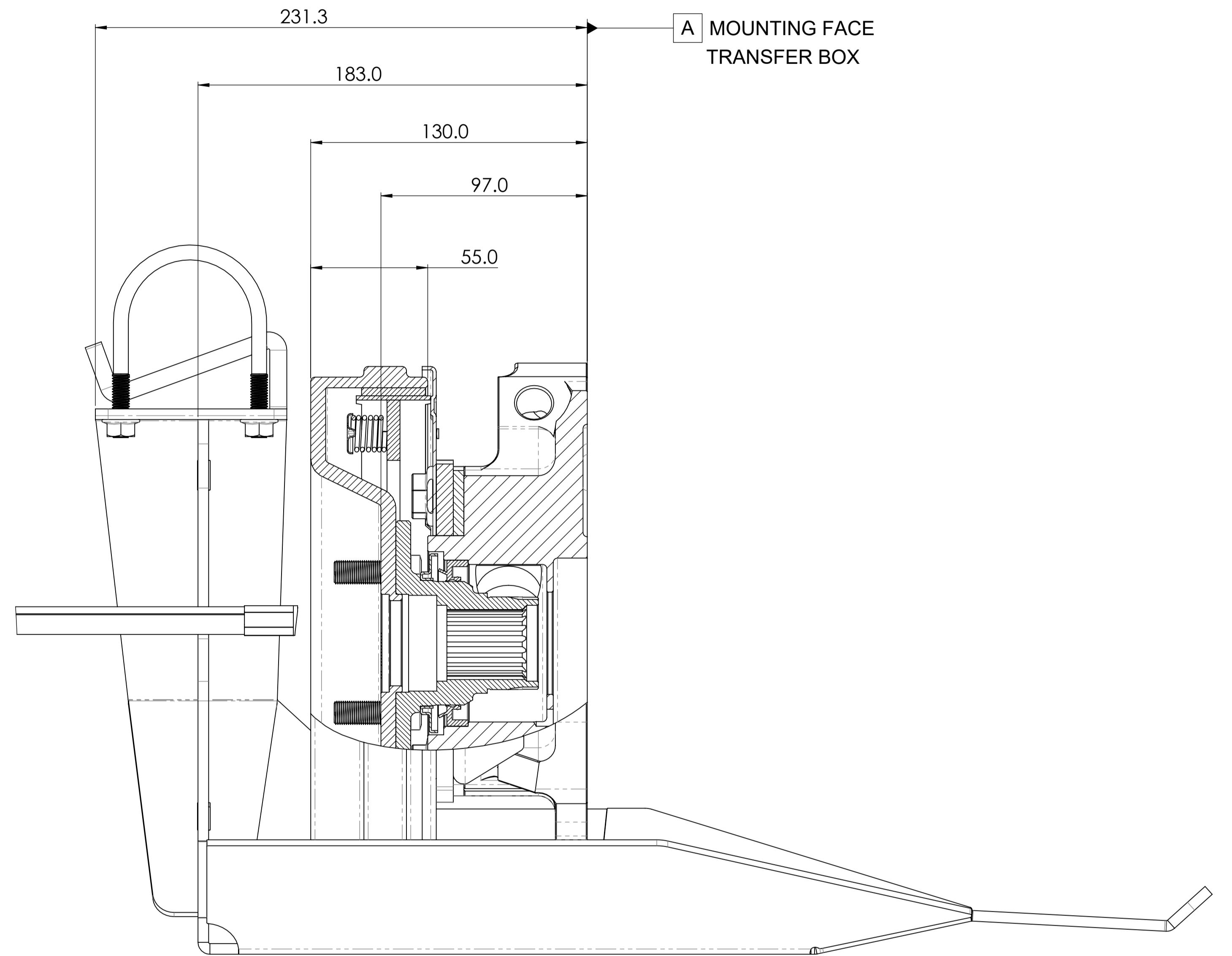
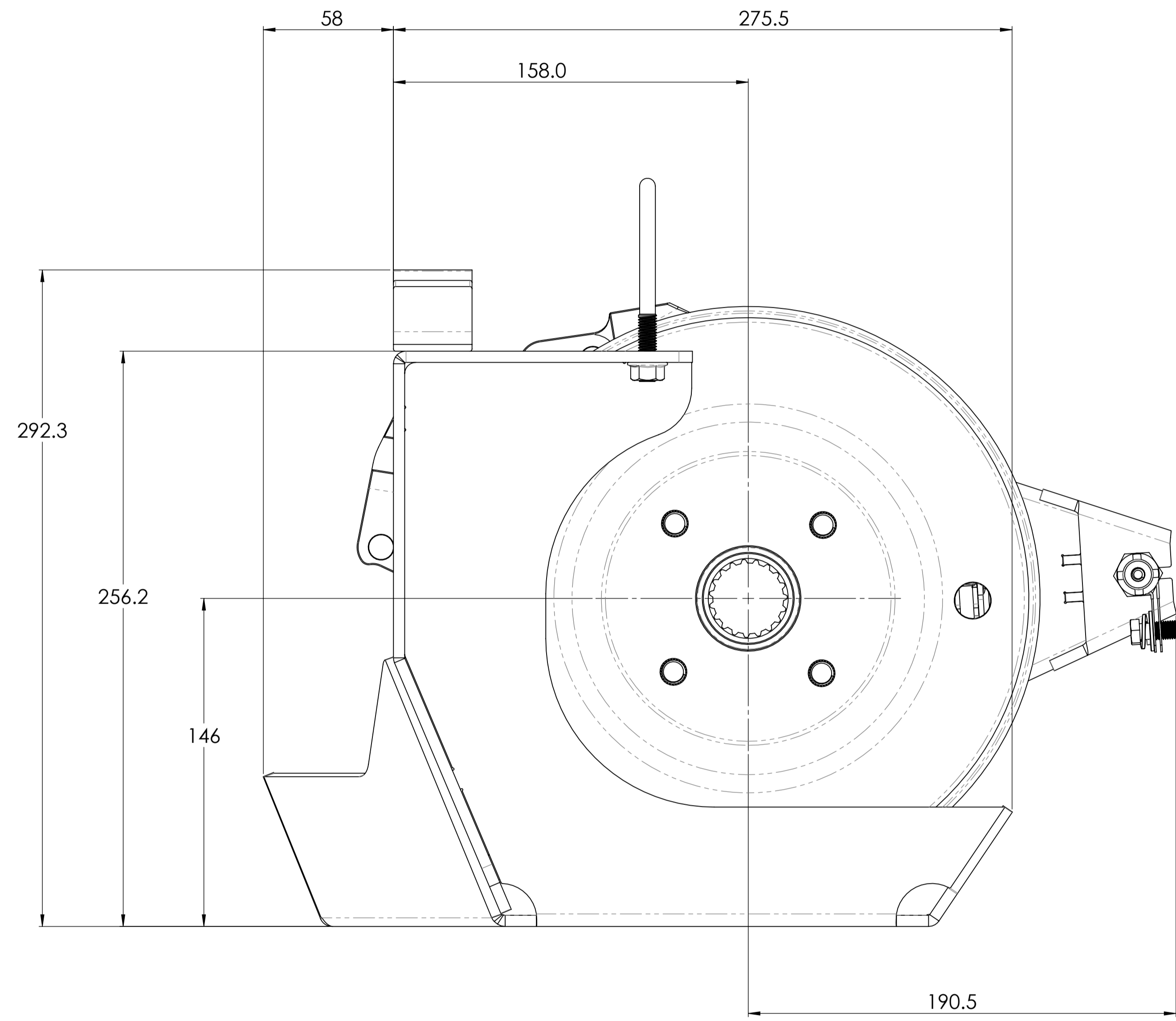
4:- REINSTALL THE DUST SEAL WITH RETAINING COMPOUND

FACTORY STUDS

DUST SEAL



DRAWN	GDK 14/09/2021	TITLE:	Handbrake Kit HF1A - Single Cab 08/2016 on
DRAWING CHECKED	PAM 14/09/2021	SCALE: 1:1.5	DRAWING/PART NUMBER
FINISHED WEIGHT: 23.48 kg		1 of 2	MFK20085
			REV No. 0



DRAWN	GDK 14/09/2021	TITLE: Handbrake Kit HF1A - Single	
DRAWING CHECKED	PAM 14/09/2021	Cab 08/2016 on	
FINISHED WEIGHT: 23.48 kg		SCALE: 1:1.5	DRAWING/PART NUMBER
		DRAWING 2 of 2	REV No. 0
		MFK20085	