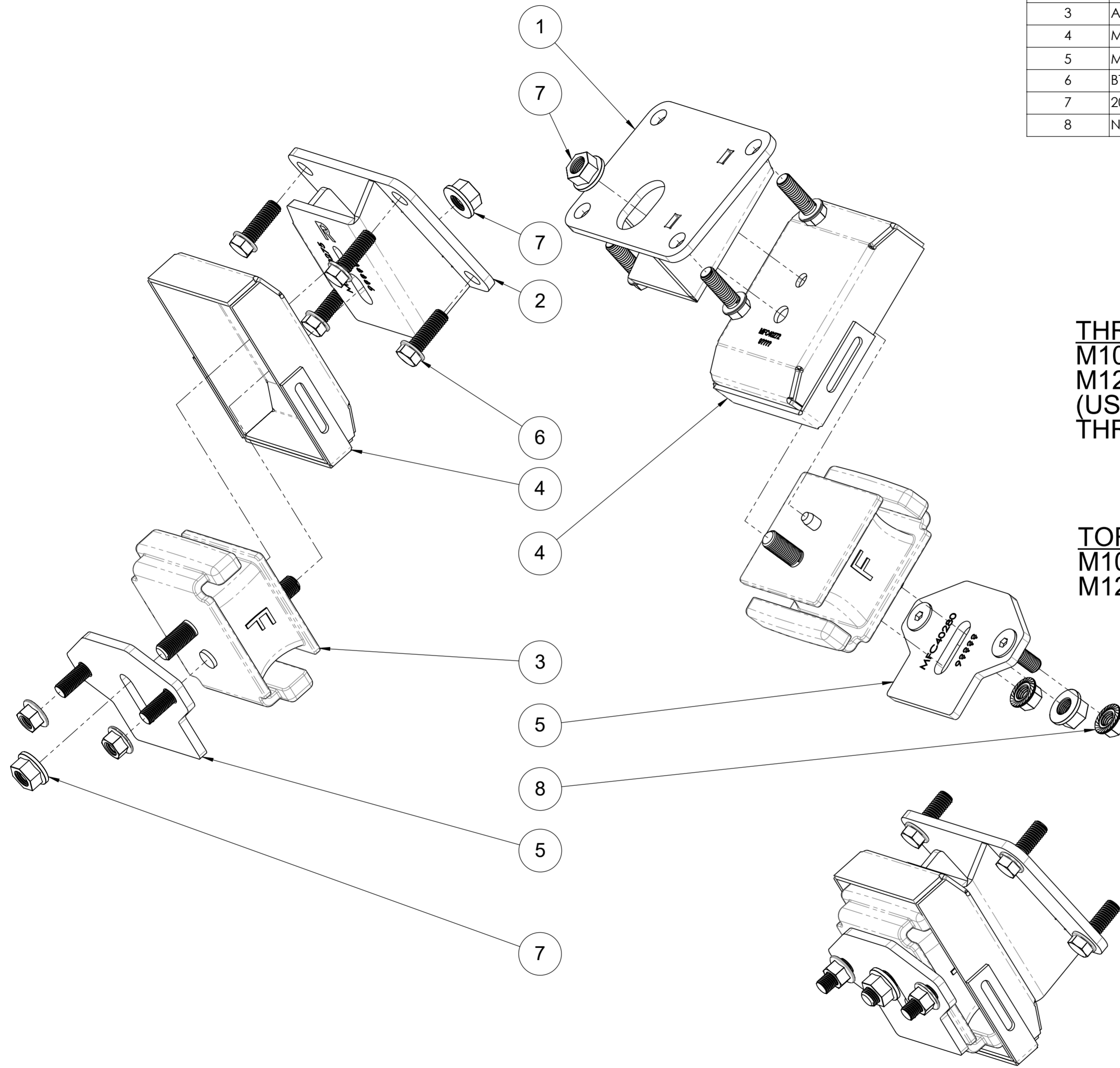
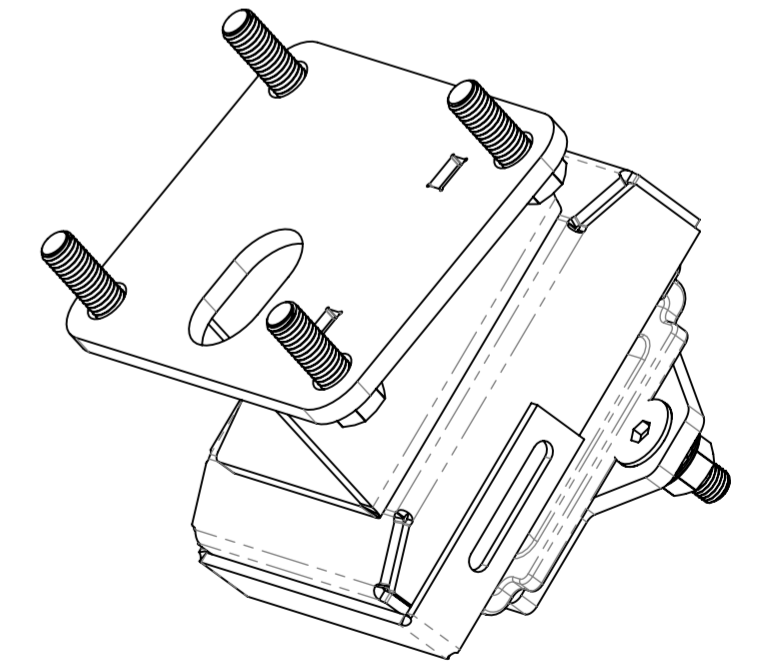


ITEM NO.	PART NUMBER	DESCRIPTION	QTY.
1	MFC40270	Engine Mount Bracket - LS V8 to 05+ IFS Hilux LH	1
2	MFC40275	Engine Mount Bracket - LS V8 to 05+ IFS Hilux RH	1
3	A5388	Engine Mount	2
4	MFC40272	MT8460 Engine Mount Stabiliser	2
5	MFC40280	Chassis Post Bracket - LS V8 to 05+ IFS Hilux	2
6	BT-2425	Bolt - M10 x 1.5 x 30mm - H/T - Z/P Flanged Head	8
7	208M12125	Nut Flange M12 X 1.25	4
8	NT-2032	M10 x 1.5 Flanged Nut	4



THREAD LOCK COMPOUND
M10 BOLTS (ITEM 6)
M12 FLANGE NUTS (ITEM 7)
(USE MEDIUM STRENGTH
THREAD LOCK)

TORQUE SPECIFICATIONS
M10 BOLTS (ITEM 6) - 45Nm
M12 FLANGE NUTS (ITEM 7) - 75Nm



MARKS4WD 385-393 LOWER DANDENONG ROAD,
 DINGLEY, VICTORIA, 3172
 A.B.N. 28 153 842 829

DRAWN	GDK 17/11/2021	TITLE:	LS to 05+ IFS Hilux Engine Mounts	
DRAWING CHECKED	PAM 17/11/2021	()	DRAWING/PART NUMBER	REV No.
FINISHED WEIGHT: 10.00 kg		SCALE:1:2	MFK40262	0
		DRAWING		
		1 of 1		