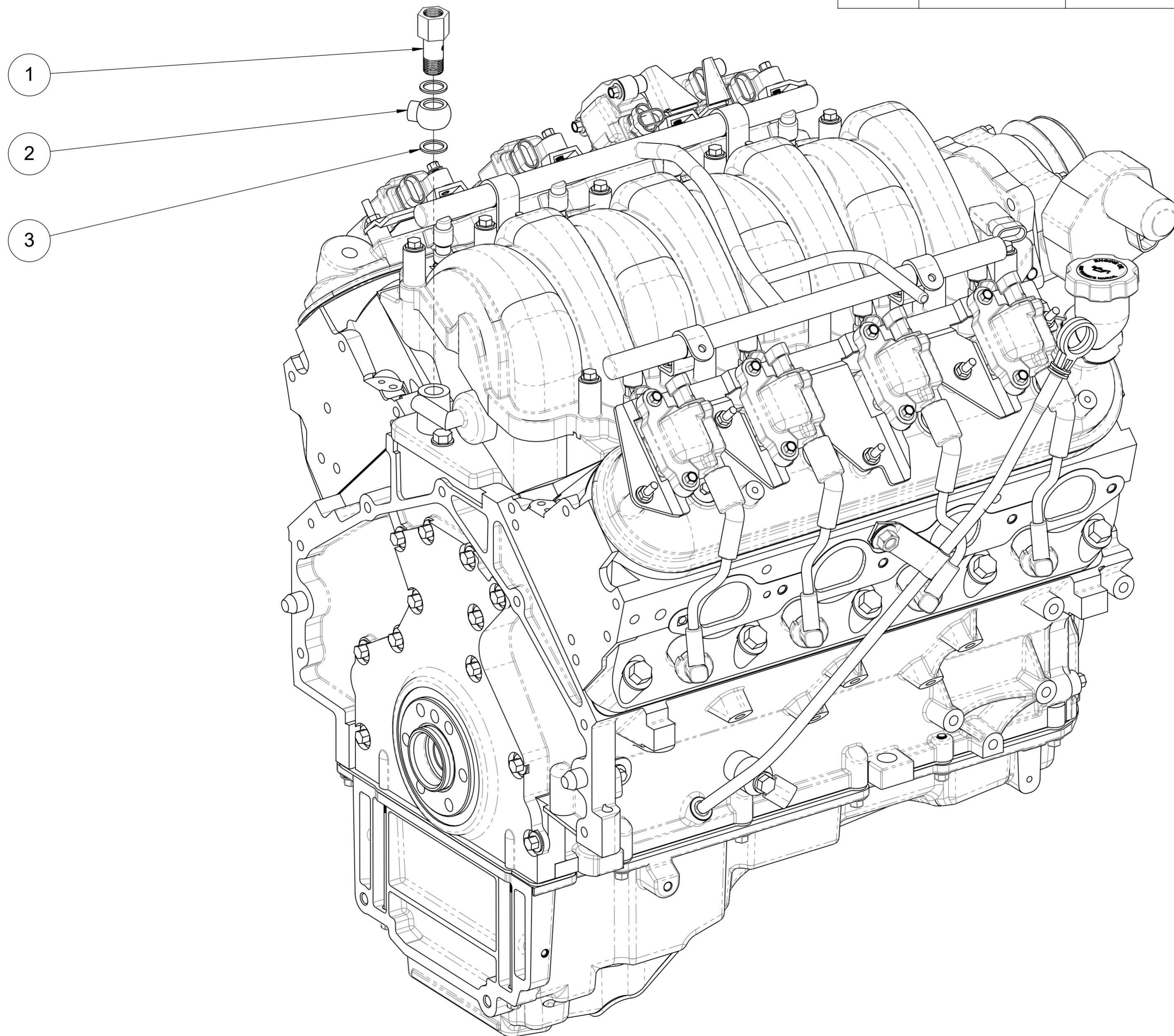


ITEM NO.	PART NUMBER	DESCRIPTION	QTY
1	MFC40375	LS V8 Oil Pressure Sensor Banjo Bolt - M16 x 1.5	1
2	MFC40380	M16 Banjo Shell x 1/8" BSPT	1
3	CWC50	Washer - Copper - M16 x 20 x 1.5mm	2



**MARKS4WD**  
 385-393 LOWER DANDENONG ROAD,  
 DINGLEY, VICTORIA, 3172  
 A.B.N. 28 153 842 829

DRAWN	GDK 08/10/2019	TITLE:	LS V8 Oil Pressure Sensor Banjo Bolt - M16 x 1.5	
DRAWING CHECKED	PAM 08/10/2019	SCALE: 1:2.5	DRAWING/PART NUMBER	REV No.
FINISHED WEIGHT: 254.52 kg		DRAWING	MFK40375	0
		DRAWING	1 of 1	