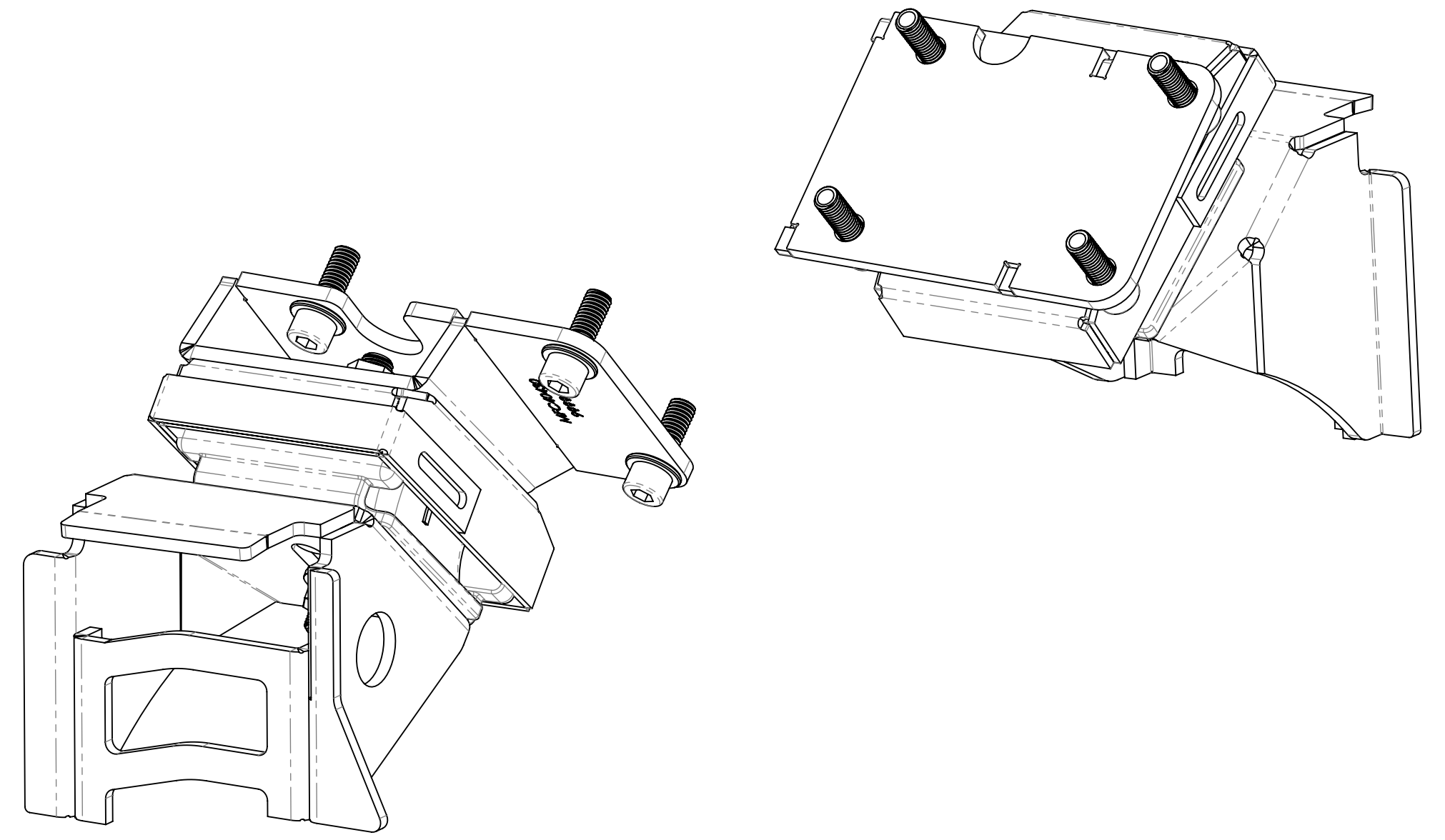
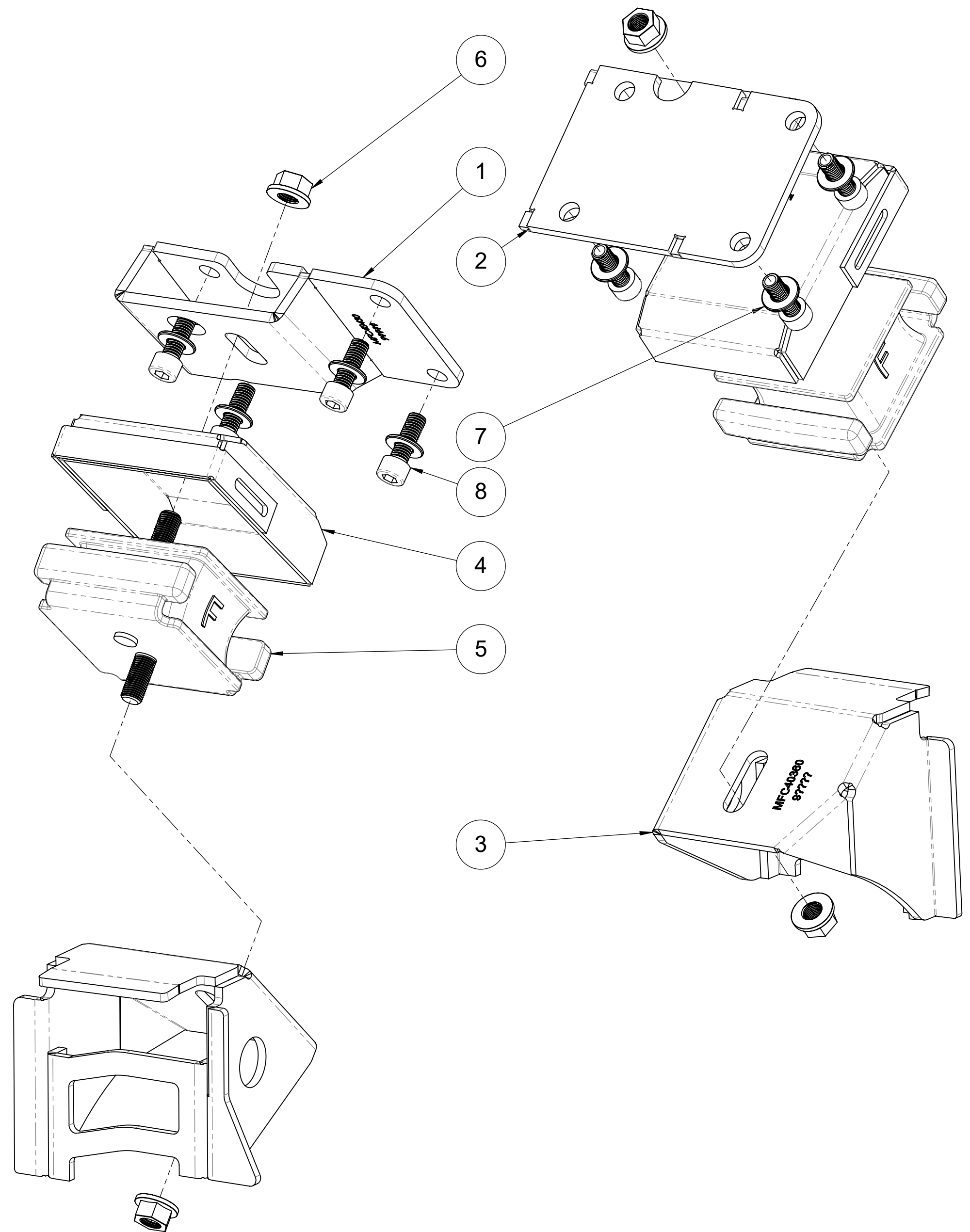


ITEM NO.	PART NUMBER	DESCRIPTION	QTY.
1	MFC40430	Engine Mount - LS V8 to 60 Series LandCruiser L/H	1
2	MFC40435	Engine Mount - LS V8 to 60 Series LandCruiser R/H	1
3	MFC40360	Chassis Post - Toyota 80/105 to Suit MFK1765 RH	2
4	MFC40272	MT8460 Engine Mount Stabiliser	2
5	A5388	Engine Mount	2
6	208M12125	Nut Flange M12 X 1.25	4
7	FW-2010	Flat Washer - M10 x 22 x 2mm	8
8	SHCS-2045	SHCS - M10 x 1.5 x 30mm - Z/P	8



THREAD LOCK COMPOUND
M10 BOLTS (ITEM 8)
M12 FLANGE NUTS (ITEM 6)
(USE MEDIUM STRENGTH
THREAD LOCK)

TORQUE SPECIFICATIONS
M10 BOLTS (ITEM 8) - 45Nm
M12 FLANGE NUTS (ITEM 6) - 85Nm

MARKS4WD 385-393 LOWER DANDENONG ROAD,
DINGLEY, VICTORIA, 3172
A.B.N. 28 153 842 829

DRAWN	GDK 23/08/2021	TITLE: Engine Mount Kit - LS V8 to 60 Series	
DRAWING CHECKED	PAM 23/08/2021	SCALE: 1:2	DRAWING/PART NUMBER
FINISHED WEIGHT: 12.62 kg		DRAWING 1 of 1	REV No. 0
		MFK40430	