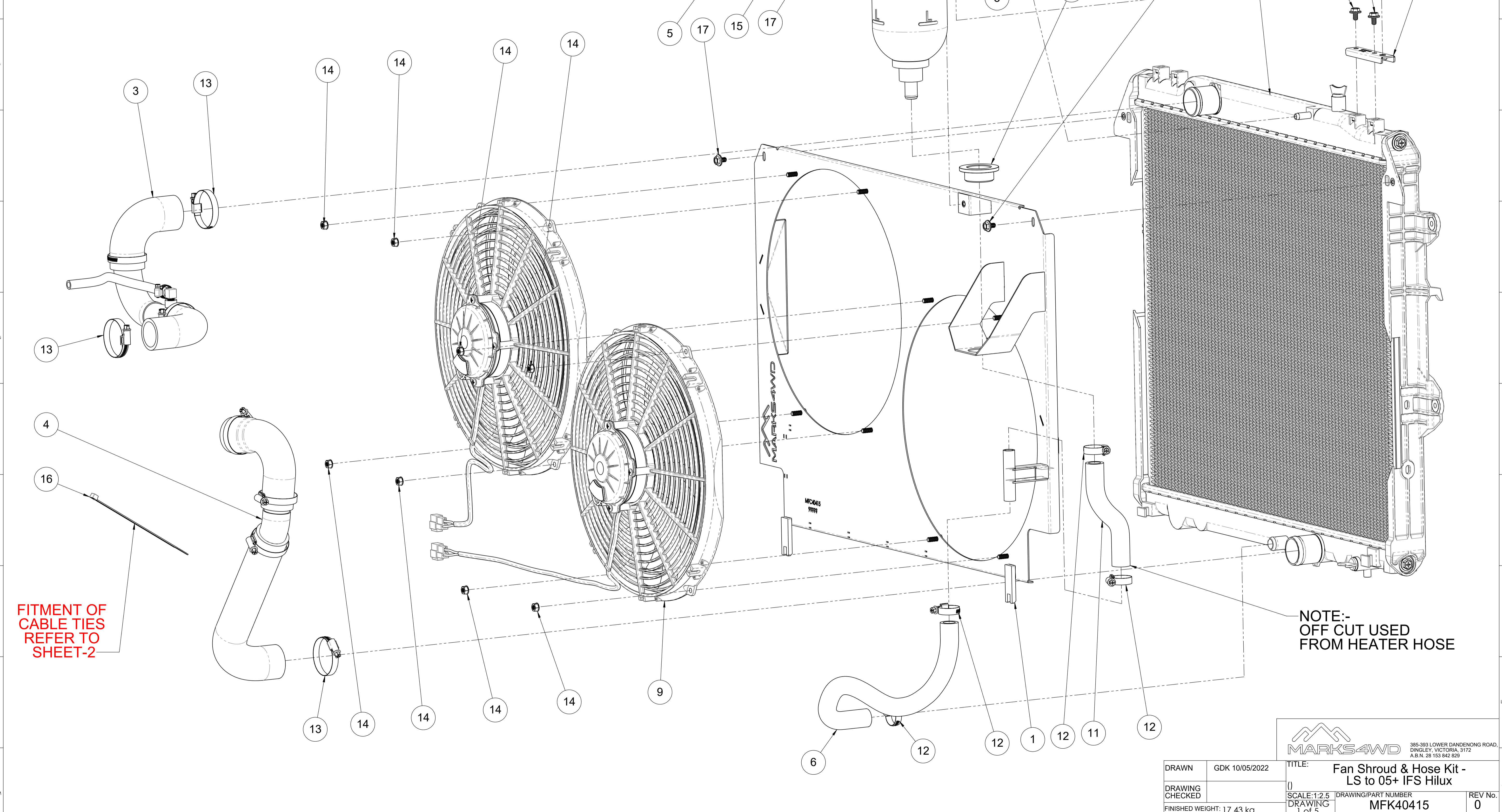


ITEM NO.	PART NUMBER	DESCRIPTION	
1	MFC40415	LS to 05+ IFS Hilux Thermo Fan Shroud	1
2	MFC40416	LS to 05+ IFS Hilux Thermo Fan Shroud Bracket	1
3	MFG40420	Hose Radiator Top - LS to 05+ Hilux	1
4	MFG40425	Hose Radiator Bottom - LS to 05+ Hilux	1
5	MFC40417	6mm x 250mm Heater Hose (Trim Length To Suit)	1
6	16264-0L010	Radiator Expansion Tank Lower Outlet Hose Hilux KUN - 2015	1
7	TO164000L120	Radiator Hilux KUN - 2015	1
8	TO164700L013	Radiator Expansion Overflow Tank Hilux	1
9	EF3657	12v 14" SPAL Puller Fan	2
10	RUBBER GROMET	RUBBER GROMET	1
11	Heater Hose	Heater Hose.	1
12	16-25-9W2	Hose Clamp - 16 to 25mm	4
13	32-50-9W2	Hose Clamp - 32 to 50mm	4
14	NT-2005	Nut - M6 x 1 - Captured Anti-Vibration Washer	8
15	EFI004P	Hose Clamp - 7-15mm - EFI Fuel Line - S/S	2
16	W34-CABLE TIE	W34-CABLE TIE	7
17	BT-2010	Bolt - M6 x 1 x 12mm - Captured Washer	6



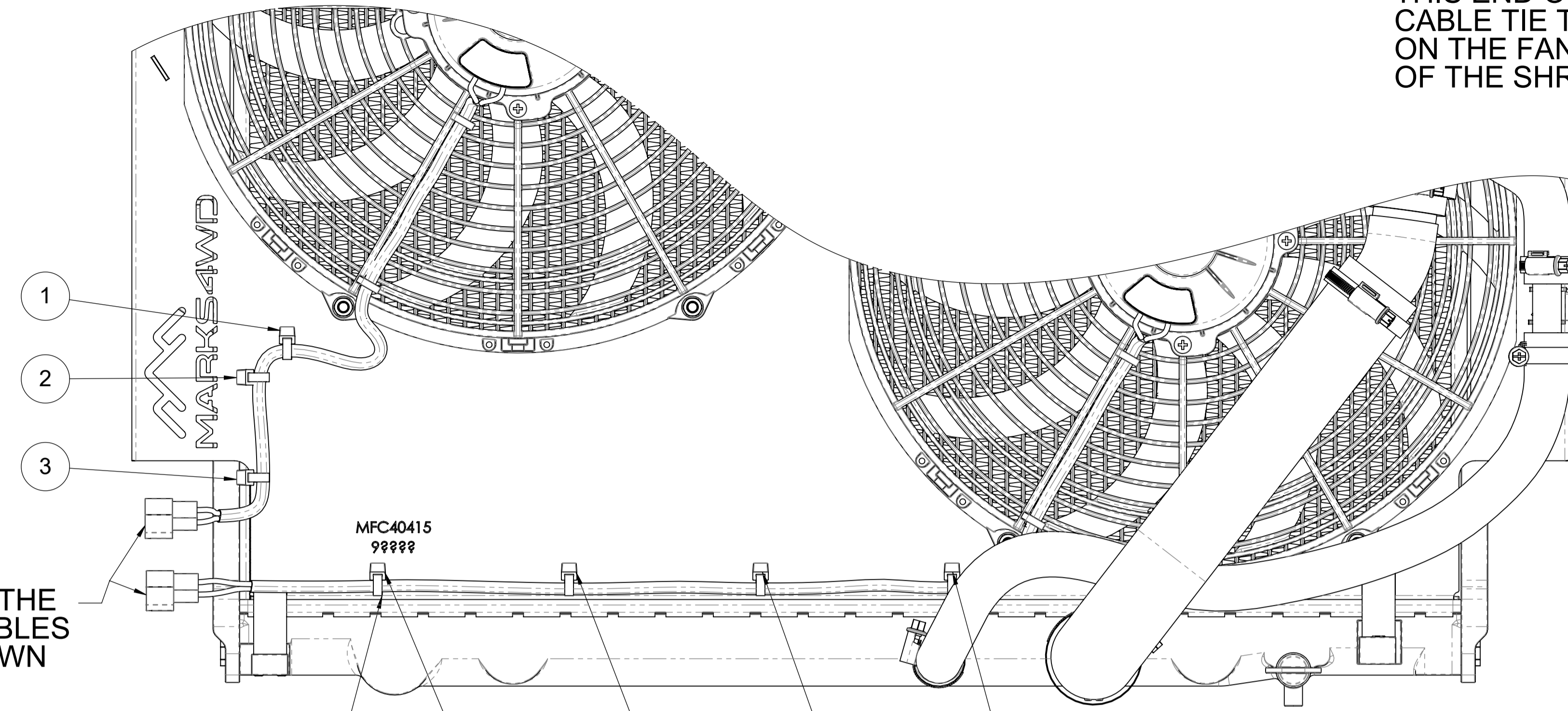
FITMENT OF CABLE TIES REFER TO SHEET-2

NOTE:- OFF CUT USED FROM HEATER HOSE



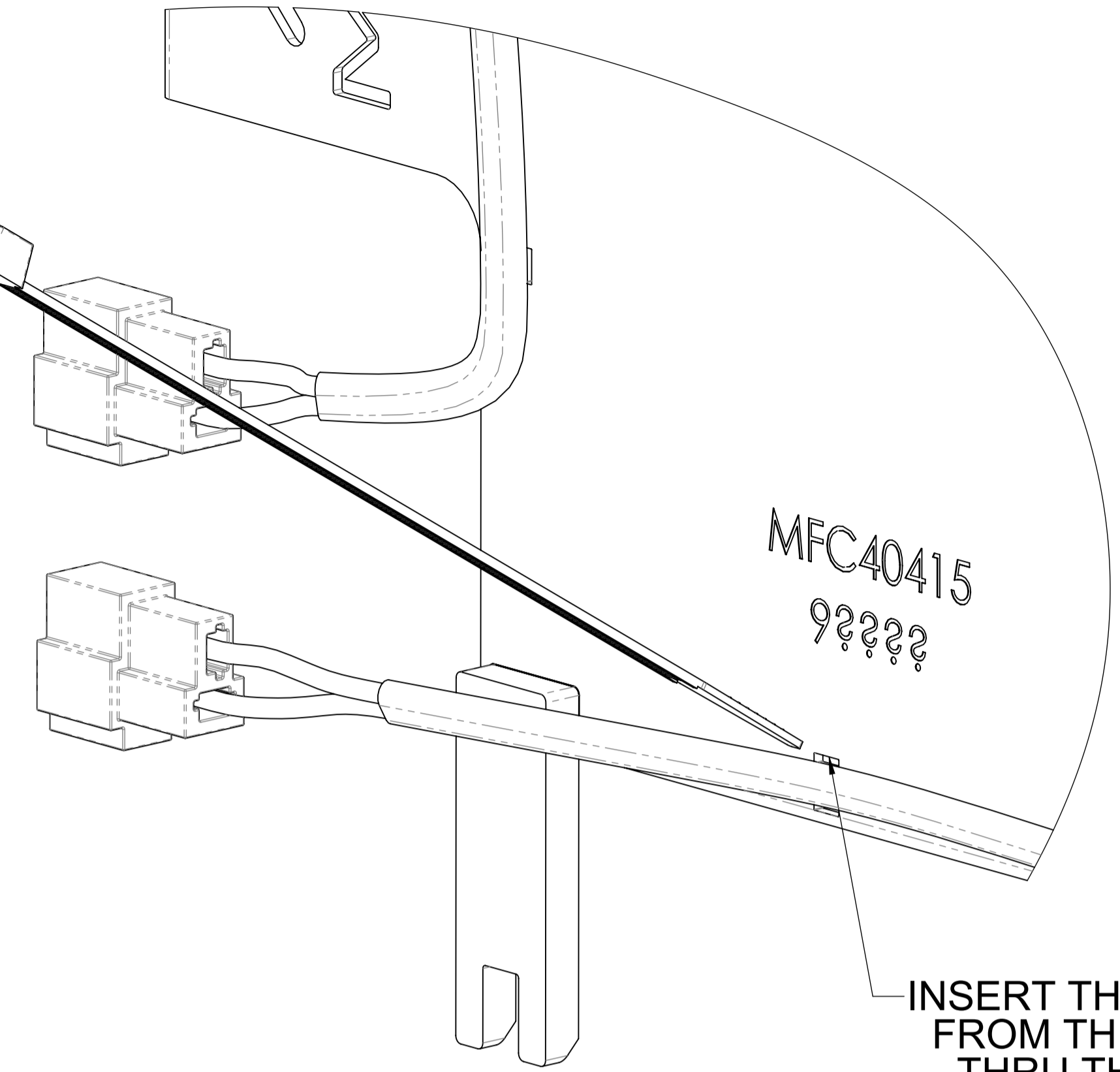
DRAWN	GDK 10/05/2022	TITLE:	Fan Shroud & Hose Kit - LS to 05+ IFS Hilux
DRAWING CHECKED		SCALE: 1:2.5	DRAWING/PART NUMBER
FINISHED WEIGHT: 17.43 kg		DRAWING 1 of 5	MFK40415
			REV No. 0

THIS END OF THE
CABLE TIE TO BE
ON THE FAN SIDE
OF THE SHROUD

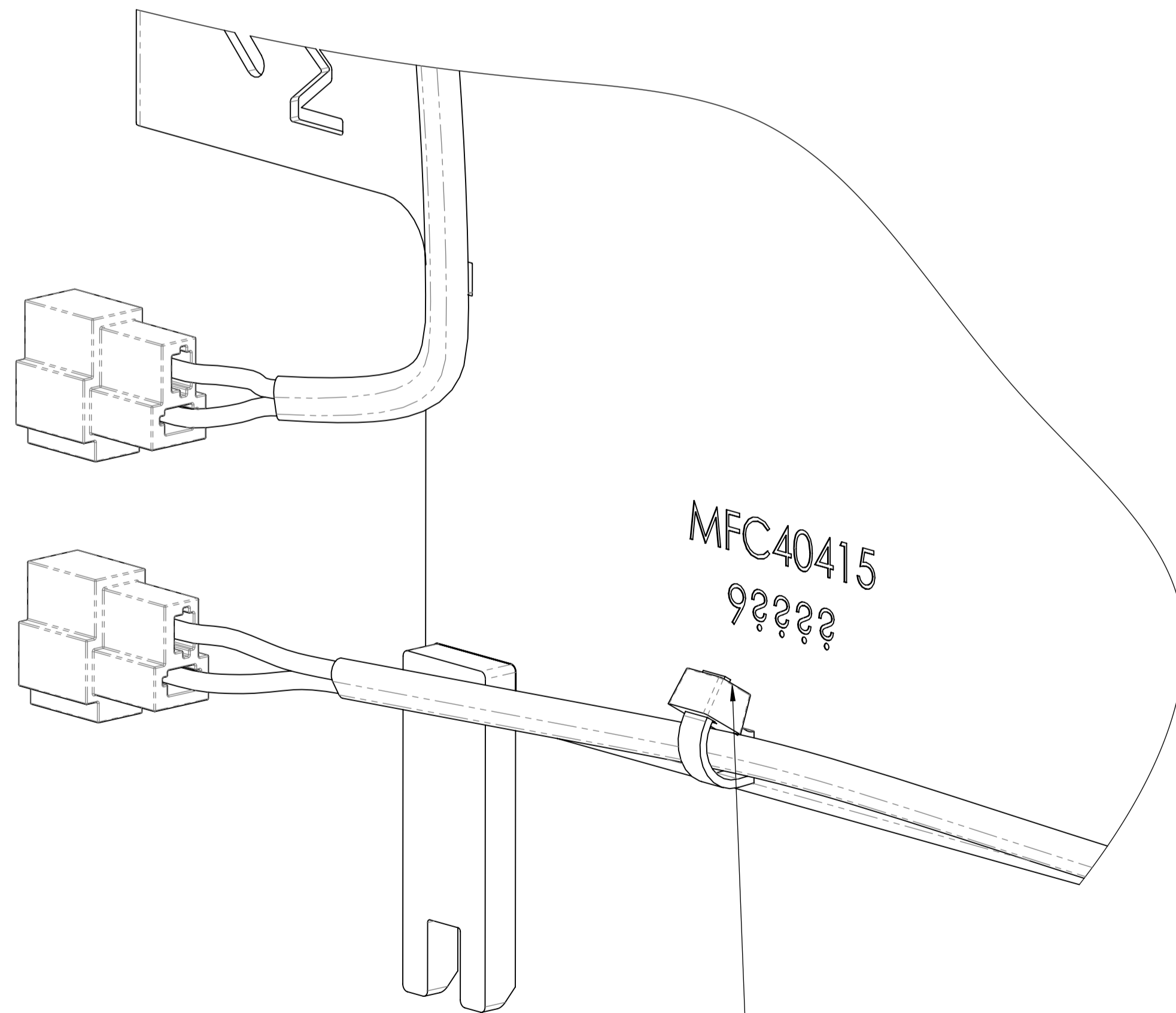


ROUTE THE
FAN CABLES
AS SHOWN

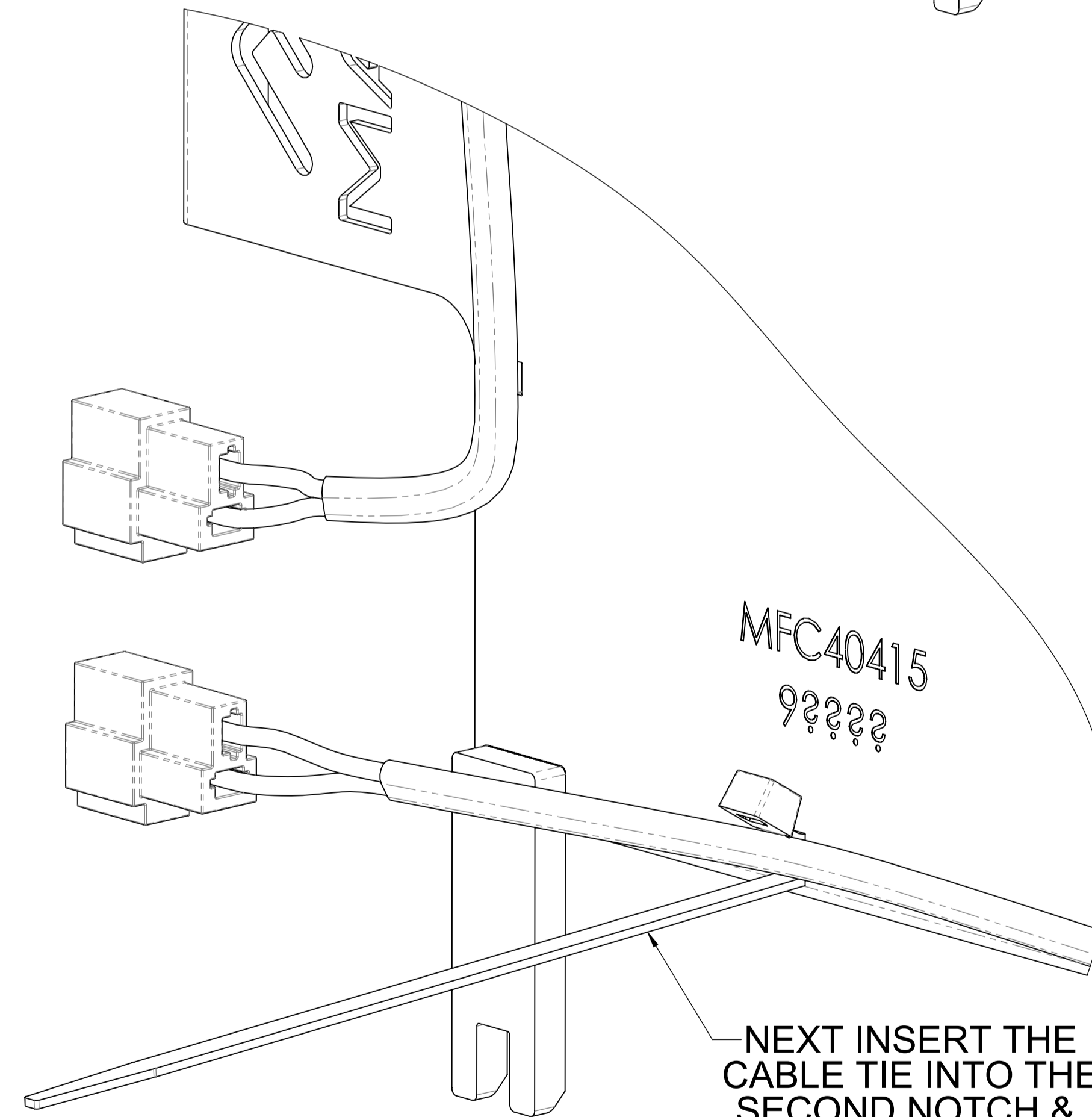
LOCATION OF THE
CABLE TIES SHOWN
NUMBERED IN 7 PLACES



INSERT THE CABLE TIE
FROM THE FAN SIDE
THRU THE NOTCH
AS SHOWN



PULL THE CABLE TIE
THRU THE END OF THE
TIE AND LASSO TIGHTLY
AROUND THE CABLE &
CUT THE EXCCES TIE
AS SHOWN



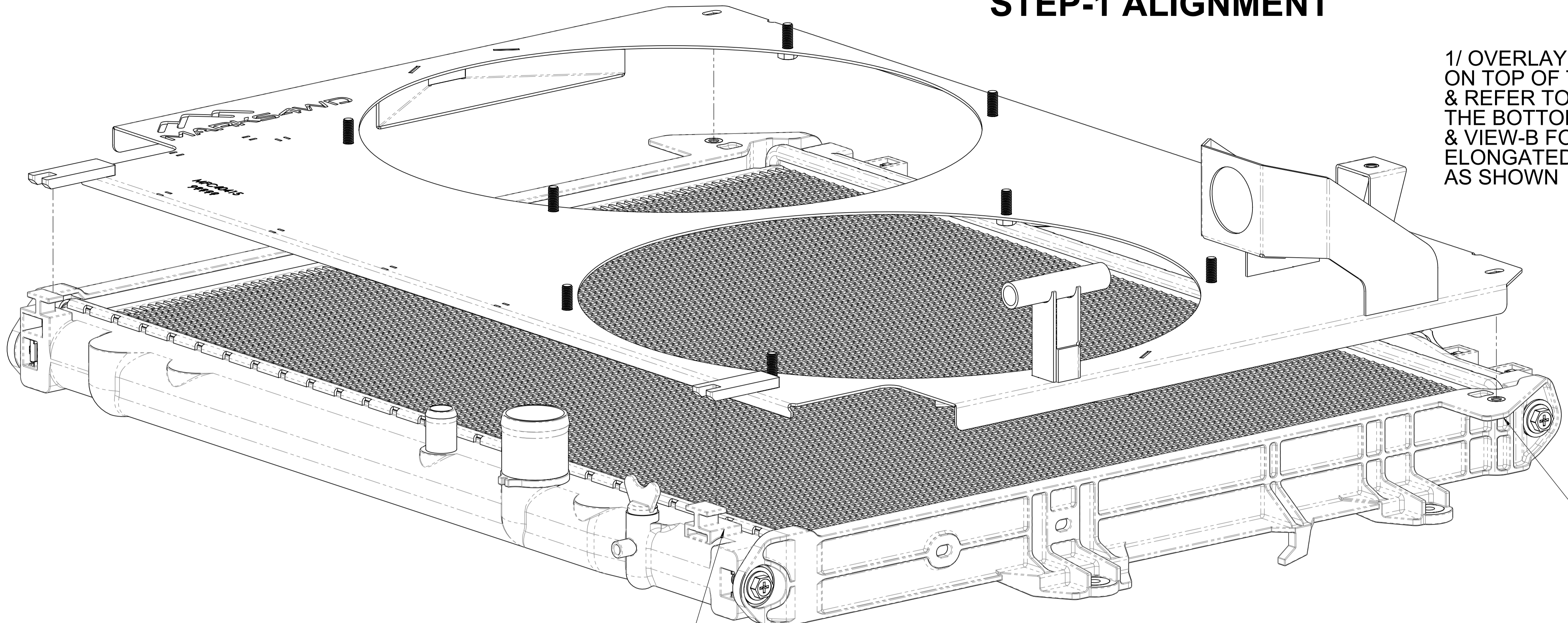
NEXT INSERT THE
CABLE TIE INTO THE
SECOND NOTCH &
PULL THRU TO THE
FAN SIDE AS SHOWN



DRAWN	GDK 10/05/2022	TITLE:	Fan Shroud & Hose Kit - LS to 05+ IFS Hilux	
DRAWING CHECKED		SCALE: 1:2	DRAWING/PART NUMBER	REV No.
FINISHED WEIGHT: 17.43 kg		DRAWING 2 of 5	MFK40415	0

STEP-1 ALIGNMENT

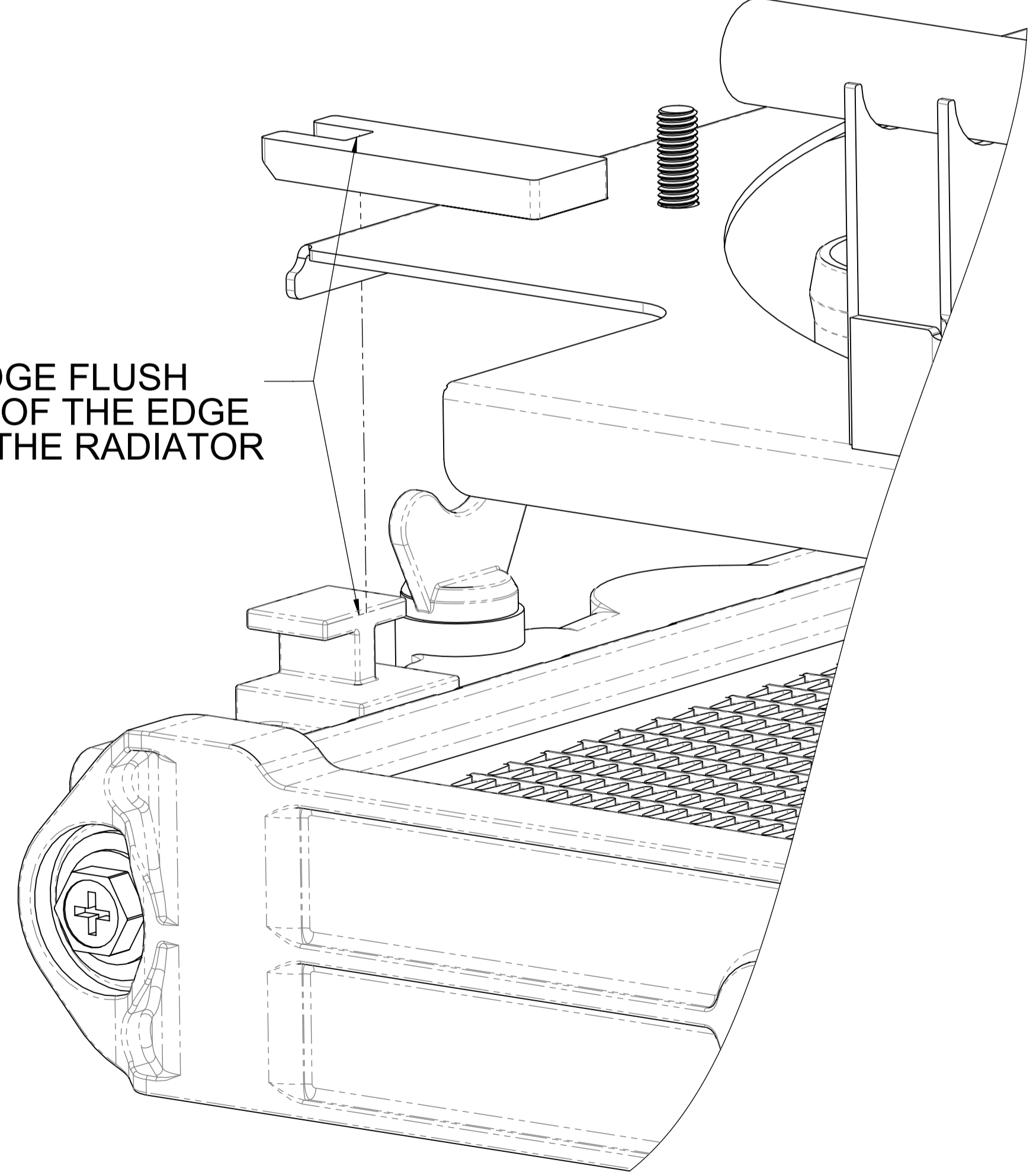
1/ OVERLAY THE FAN SHROUD ON TOP OF THE RADIATOR & REFER TO VIEW-A FOR ALIGNING THE BOTTOM SHROUD LOCATOR TABS & VIEW-B FOR ALIGNING THE TOP ELONGATED SCREW HOLE SLOTS AS SHOWN



VIEW-B

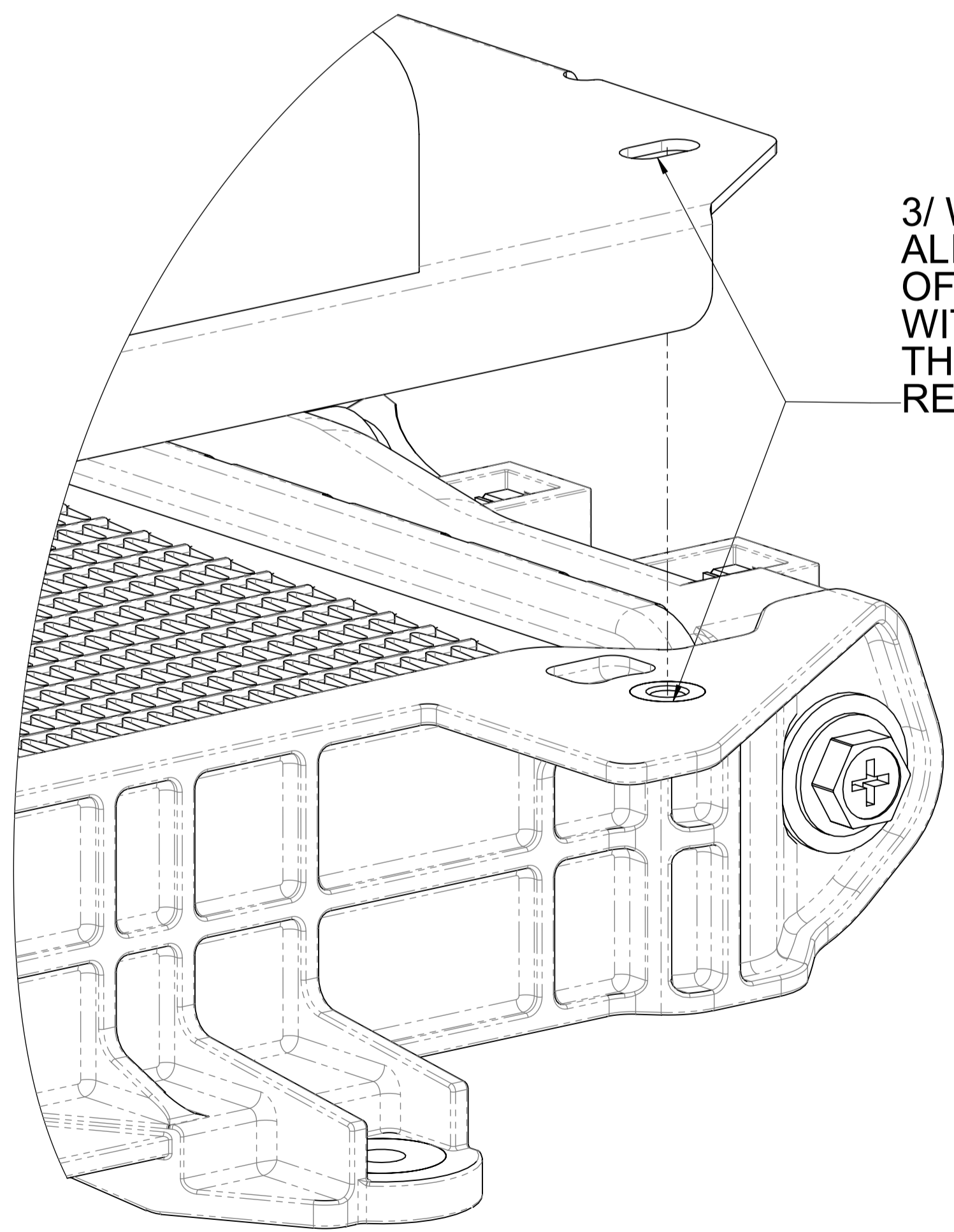
VIEW-A

2/ ALIGN THIS EDGE FLUSH WITH THE EDGE OF THE EDGE OF THE TAB ON THE RADIATOR BOTH SIDES



VIEW-A

3/ WITH THE BOTTOM LOCATOR TABS ALIGNED THE TOP THREADED HOLE OF THE RADIATOR SIDE MUST BE LOCATED WITHIN THE ELONGATED SLOT OF THE SHROUD WITH THE SHROUD RESTING ON THE RADIATOR

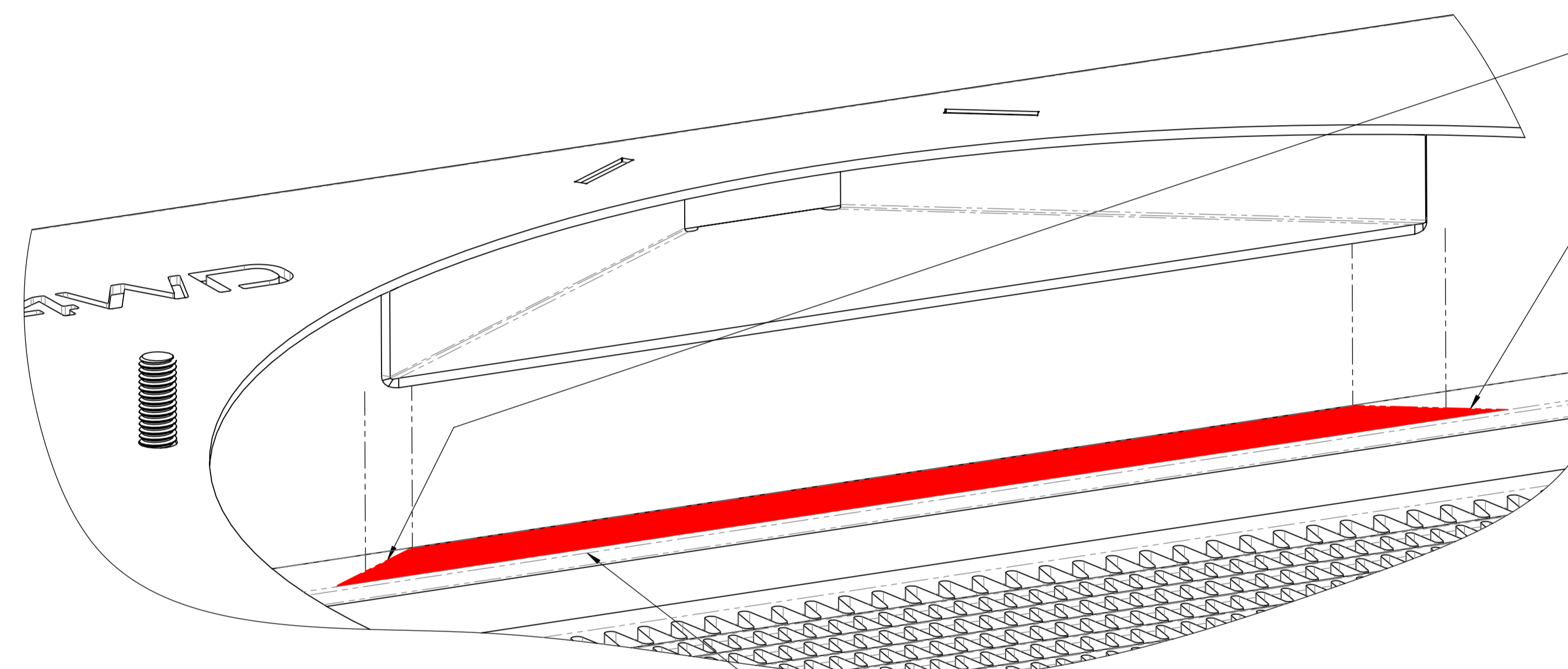
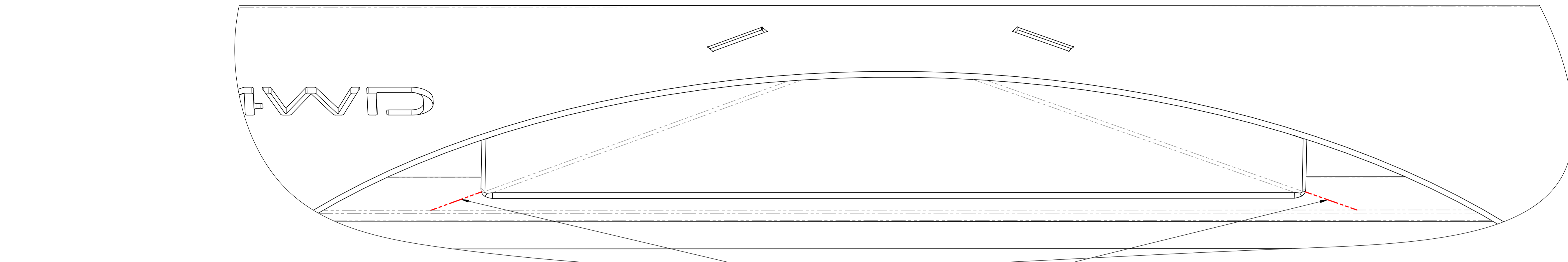


VIEW-B



DRAWN	GDK 10/05/2022	TITLE:	Fan Shroud & Hose Kit - LS to 05+ IFS Hilux	
DRAWING CHECKED		SCALE: 1:1.5	DRAWING/PART NUMBER	REV No.
FINISHED WEIGHT: 17.43 kg		DRAWING 3 of 5	MFK40415	0

STEP-2 MARKING OUT



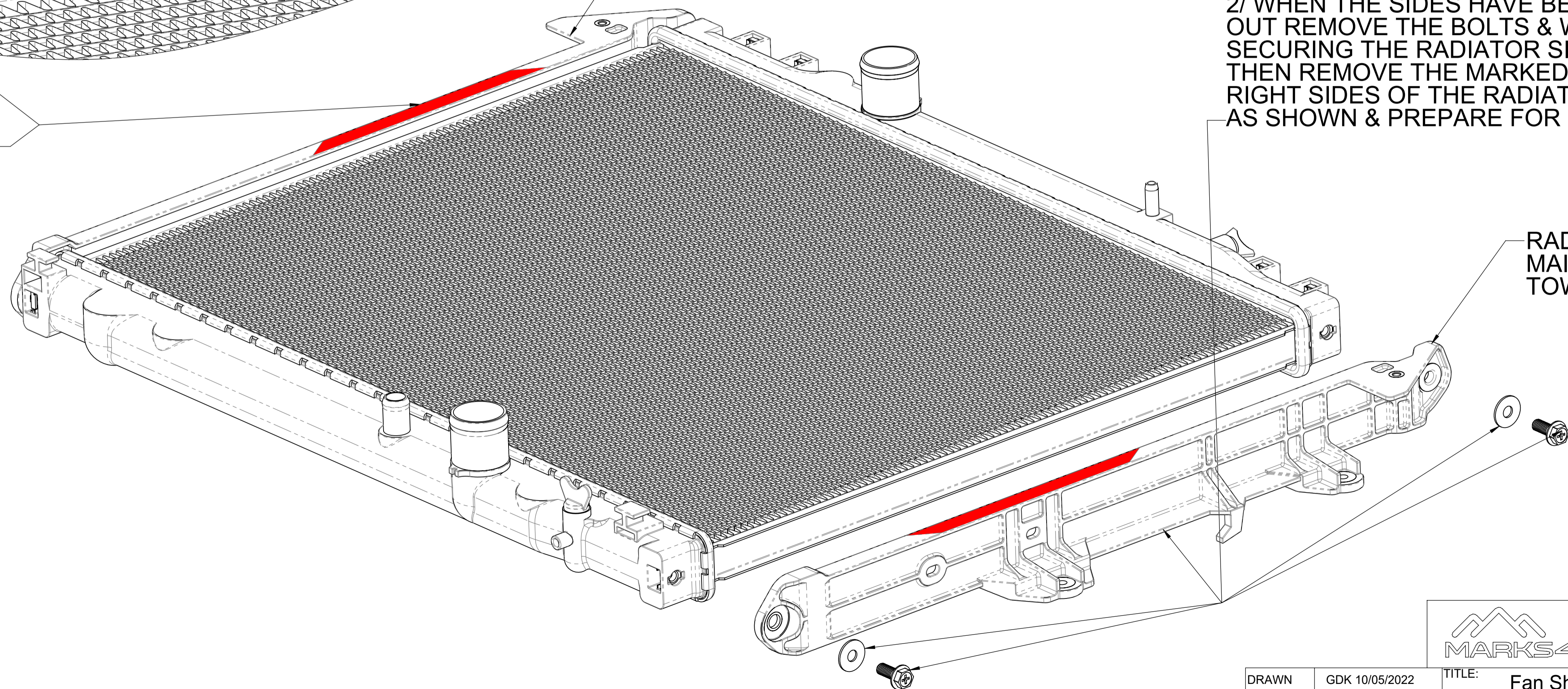
1/ WITH THE SHROUD ALIGNED & RESTING ON TOP OF THE RADIATOR MARKOUT CUTTING LINES WHILE USING THE OUTER EDGES OF THE SHROUD GUSSET AS A TEMPLATE GUIDE WHILE ALLOWING 1 - 2mm CLEARANCE FROM THE EDGES AS SHOWN
DO THIS TO BOTH SIDES OF THE RADIATOR

RADIATOR SIDE MAINTAIN THIS END TOWARD THE TOP

2/ WHEN THE SIDES HAVE BEEN MARKED OUT REMOVE THE BOLTS & WASHERS SECURING THE RADIATOR SIDES THEN REMOVE THE MARKED UP LEFT & RIGHT SIDES OF THE RADIATOR AS SHOWN & PREPARE FOR STEP-3

3/ ONCE THE 2 LINES ARE MARKED ON ONE RADIATOR SIDE & 2 LINES MARKED ON THE OTHER RADIATOR SIDE THE LINES WILL ENCLOSE THE CUTOUT CLEARANCE AREA. TO SHOW THIS CLEARLY TO THE INSTALLER THE AREA HAS BEEN HIGHLIGHTED IN RED FOR DISPLAY PURPOSES

THIS AREA WILL BE REMOVED IN STEP-3



RADIATOR SIDE MAINTAIN THIS END TOWARD THE TOP

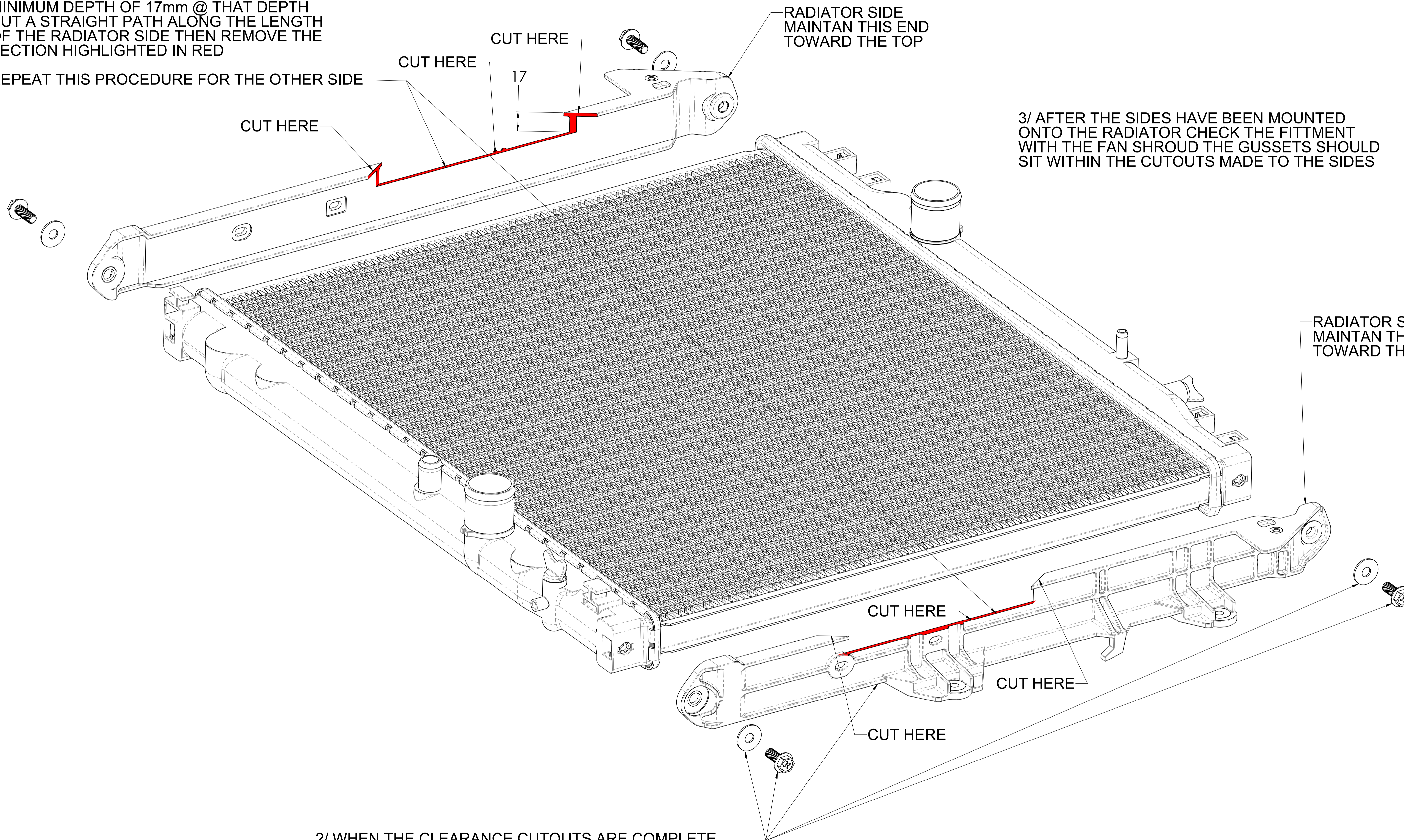


DRAWN	GDK 10/05/2022	TITLE:	Fan Shroud & Hose Kit - LS to 05+ IFS Hilux	
DRAWING CHECKED		SCALE: 1:1.5	DRAWING/PART NUMBER	REV No.
FINISHED WEIGHT: 17.43 kg		DRAWING 4 of 5	MFK40415	0

STEP-3 TRIMMING

1/ WITH THE RADIATOR SIDES REMOVED
 CUT ALONG THE LINES MARKED TO A
 MINIMUM DEPTH OF 17mm @ THAT DEPTH
 CUT A STRAIGHT PATH ALONG THE LENGTH
 OF THE RADIATOR SIDE THEN REMOVE THE
 SECTION HIGHLIGHTED IN RED

REPEAT THIS PROCEDURE FOR THE OTHER SIDE



3/ AFTER THE SIDES HAVE BEEN MOUNTED
 ONTO THE RADIATOR CHECK THE FITTMENT
 WITH THE FAN SHROUD THE GUSSETS SHOULD
 SIT WITHIN THE CUTOUTS MADE TO THE SIDES

2/ WHEN THE CLEARANCE CUTOUTS ARE COMPLETE
 REASSEMBLE THE SIDES TO THE RADIATOR
 WHILE MAINTAINING THE CORRECT ORIENTATION
 AS SHOWN ABOVE



DRAWN	GDK 10/05/2022	TITLE:	Fan Shroud & Hose Kit -
DRAWING CHECKED		()	LS to 05+ IFS Hilux
FINISHED WEIGHT: 17.43 kg		SCALE: 1:1.5	DRAWING/PART NUMBER
		DRAWING 5 of 5	MFK40415
			REV No. 0