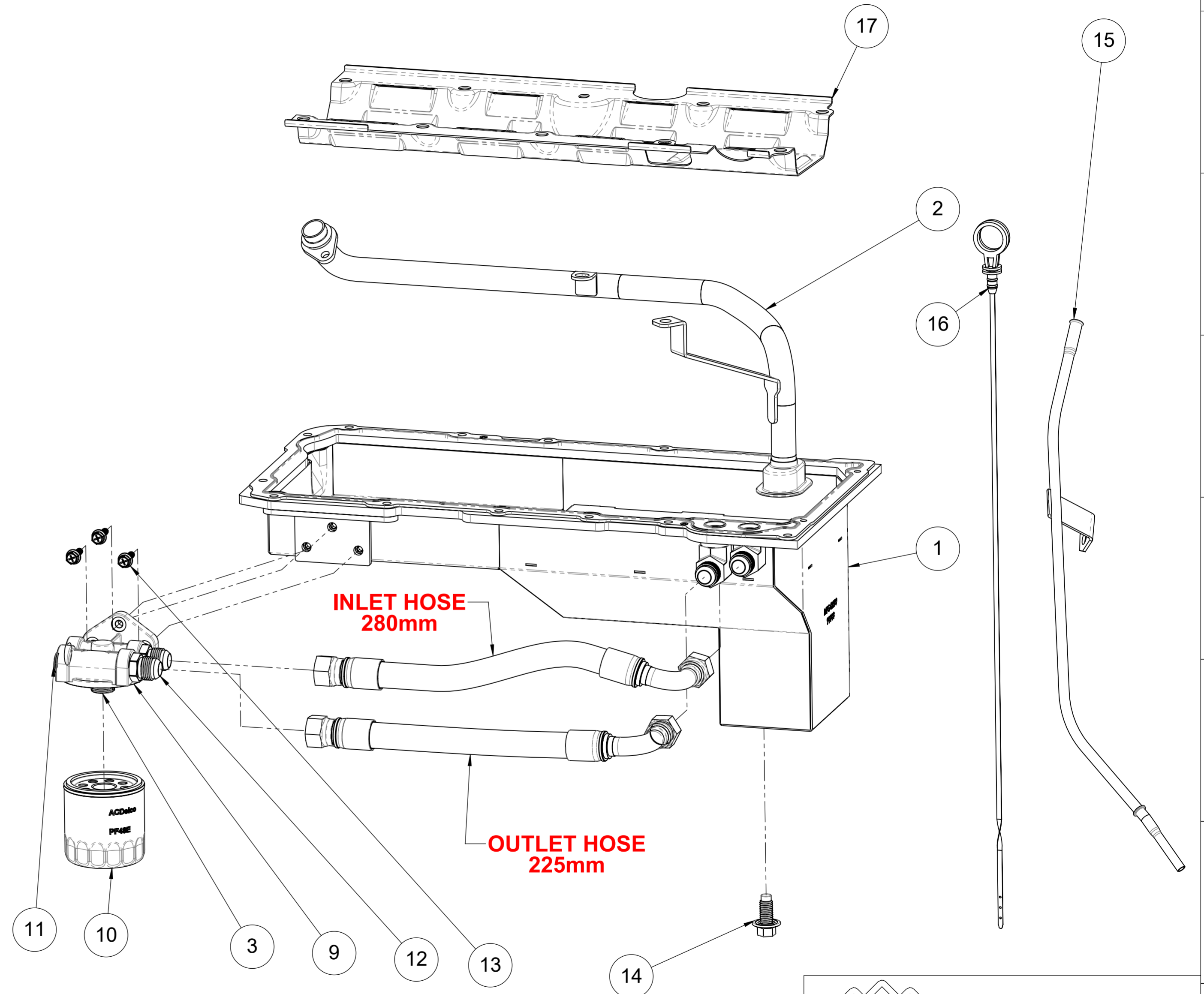
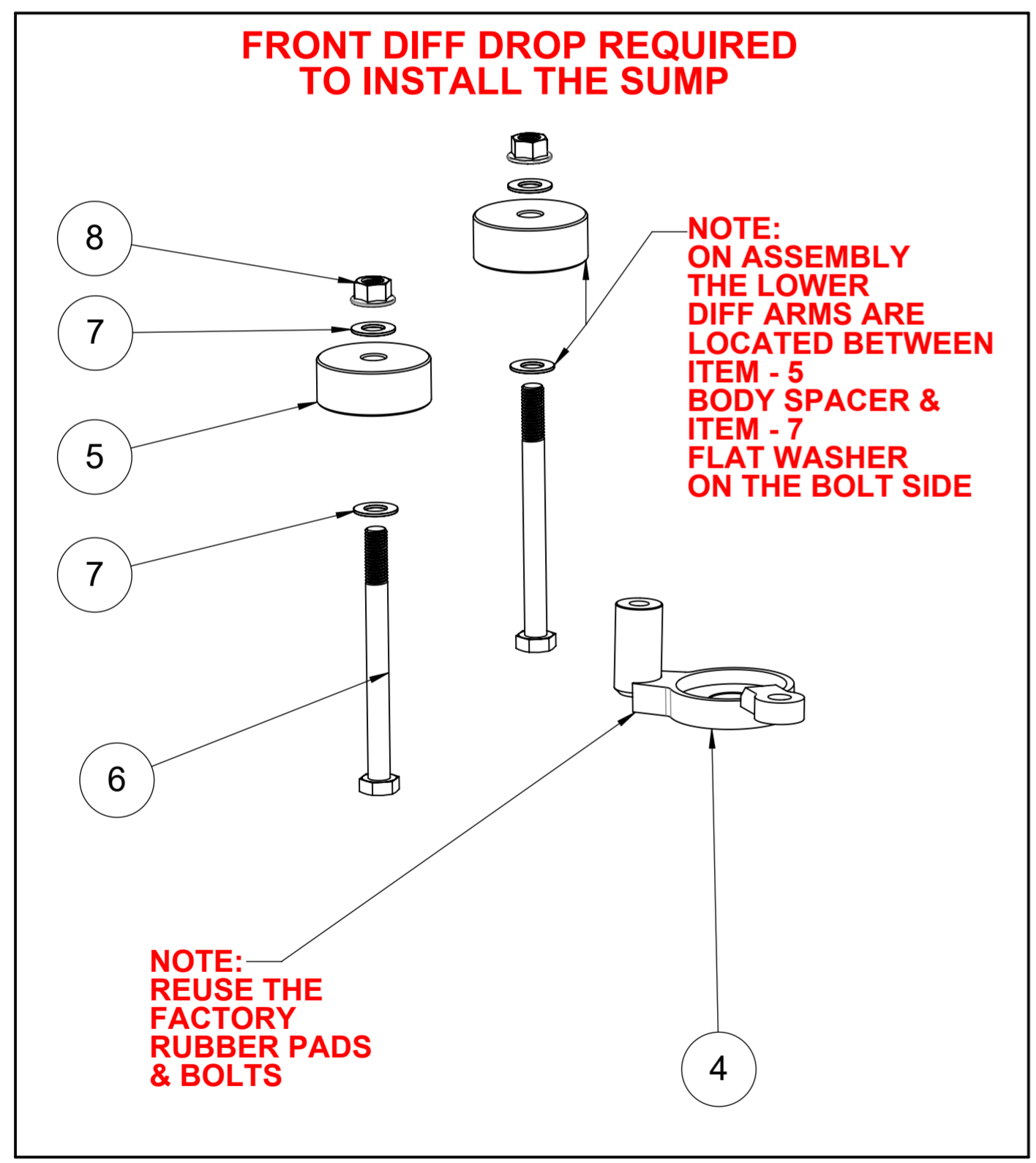


ITEM NO.	PART NUMBER	DESCRIPTION	Default/ QTY.
1	MFC40299	LS Fabricated Rear Hump Sump	1
2	MFC40299F	GM Truck Sump Oil Pickup	1
3	MFC40296	3/4"-16 x M22 Adaptor	1
4	MFC40290	Hilux N70/N80 Front Pinion Diff Drop	1
5	MFC40291	Body Spacer Block 62 x 12.5 x 25 mm	2
6	BT-2350	Bolt - M12 x 1.75 x 140mm - H/T - Z/P	2
7	FW-2020	Flat Washer - M12 x 24 x 1.5 - S/S	4
8	NT-2120	M12 x 1.75 Flanged Nut	2
9	1045	3/4" Remote Oil Filter Mount	1
10	PF48E	ACDelco Oil Filter	1
11	02N64IH-08	1/2" NPT Plug	2
12	G-L-1408	1/2" Male NPT x 7/8" Male JIC	2
13	BT-2020	Bolt - M6 x 1 x 20mm - Captured Spring Washer	3
14	11562588	M12 x 1.25 LS Sump Plug	1
15	12584738	LS Truck Sump Dip Stick Tube	1
16	12603506	LS Truck Sump Dip Stick	1
17	12611129	GM Truck Sump Windage Tray	1

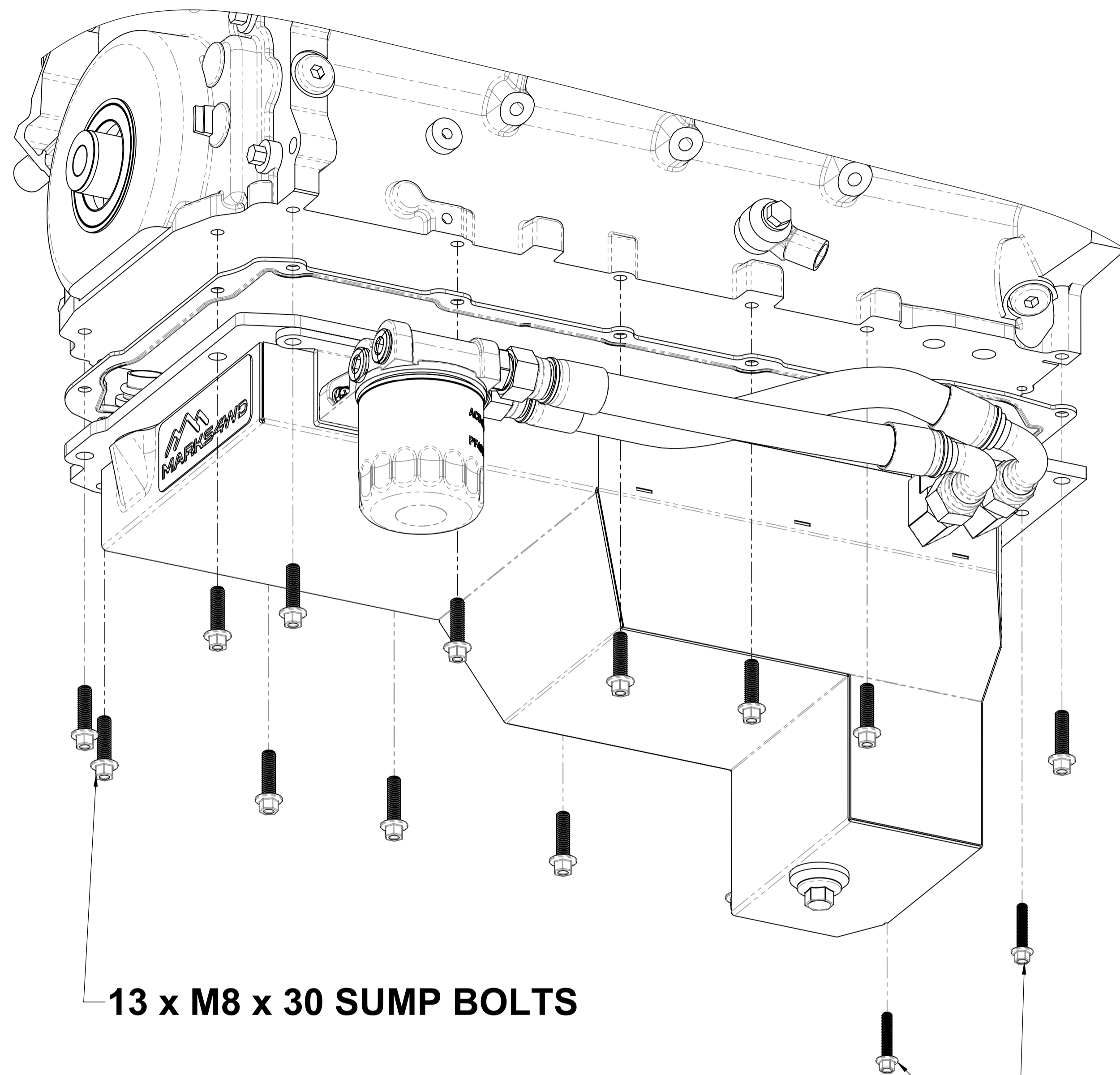


385-393 LOWER DANDENONG ROAD,  
 DINGLEY, VICTORIA, 3172  
 A.B.N. 28 153 842 829

DRAWN	GDK 19/01/2022	TITLE: LS Fabricated Rear Hump Sump	
DRAWING CHECKED	PAM 19/01/2022	SCALE: 1:3	DRAWING/PART NUMBER
FINISHED WEIGHT: 13.33 kg		DRAWING 1 of 1	REV No. 0
		<b>MFK40299</b>	

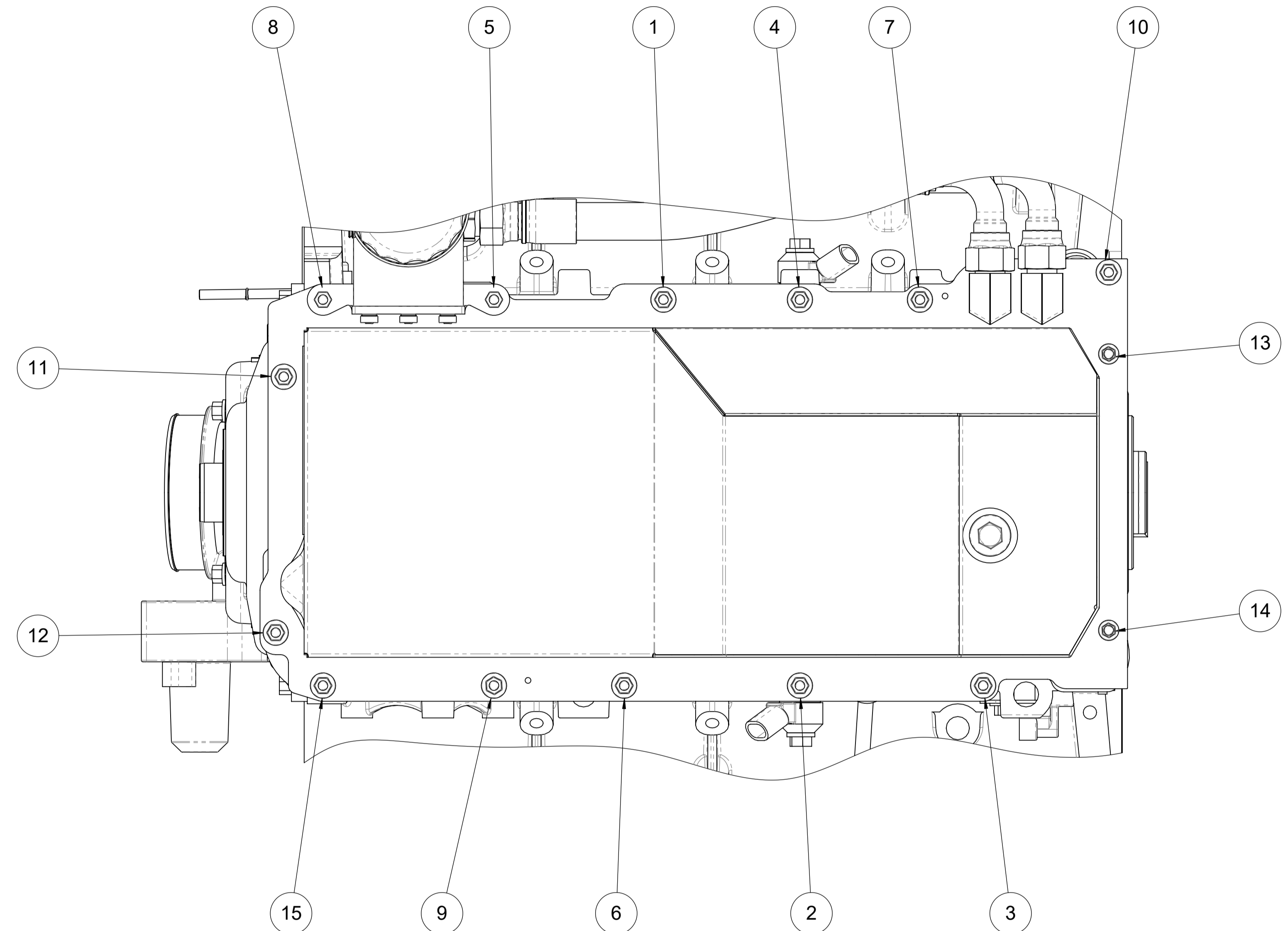
# HILUX SUMP BOLT TIGHTENING SEQUENCE & TORQUE SETTINGS

## OIL SUMP BOLT TIGHTENING SEQUENCE



13 x M8 x 30 SUMP BOLTS

2 x M6 x 30 BOLTS (BT-2131)



**THREAD LOCK COMPOUND**  
**M6 x 30 (BT-2131) SUMP BOLTS**  
**M8 x 30 SUMP BOLTS**  
**(USE MEDIUM STRENGTH**  
**THREAD LOCK)**

**TORQUE SPECIFICATIONS**  
**M6 x 30 (BT-2131) SUMP BOLTS - 12Nm**  
**M8 x 30 SUMP BOLTS - 25Nm**



DRAWN	GDK 19/01/2022	TITLE: LS Fabricated Rear Hump Sump	
DRAWING CHECKED	PAM 19/01/2022	SCALE: 1:3	DRAWING/PART NUMBER
FINISHED WEIGHT: 13.33 kg		DRAWING 1 of 2	REV No. 0
		DRAWING/PART NUMBER	MFK40299