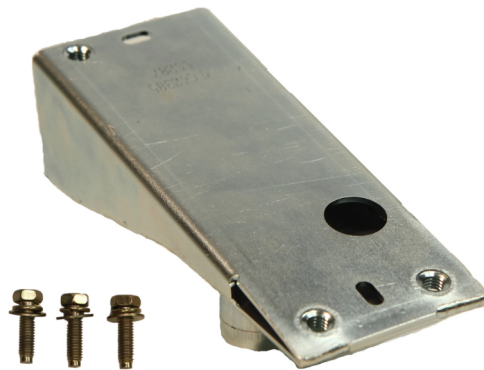




**Fitting Instructions for  
MFK40385  
LS2/3 Drive by Wire Pedal Bracket Kit  
LS V8 to 05+ IFS Toyota Hilux KUN26**

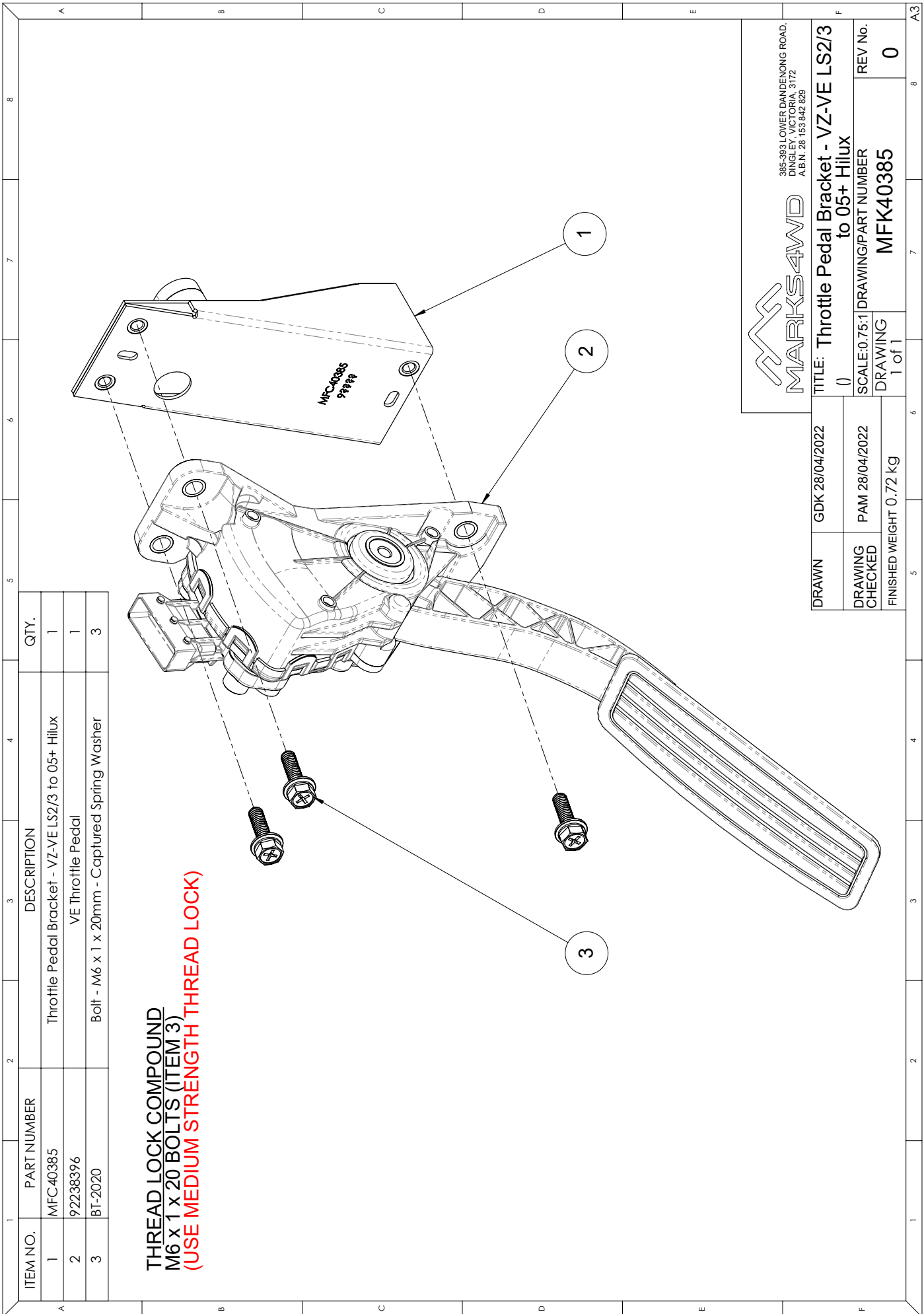


## Important Information

This instruction booklet can be used standalone for the above stated conversion but we would also recommend having a workshop manual for your vehicle and for the engine/transmission you are installing to cover any factory torque / installation settings to complete the installation.

The instruction booklet describes the required modifications (if any) and installation process in order for our kit to fit and work properly. These instructions **make no assumption** on whether additional changes need to be considered or made. It is highly possible that other aspects of your vehicle and/or third party products, eg. Engine, transmission etc. will have an impact on all that is required for you to achieve your desired outcome.

Marks 4WD Adaptors do not and cannot take responsibility for knowing everything that may impact on your conversion. Before beginning any work, thoroughly work through the sequence of changes, work and potential impact of your conversion. You must ensure you completely understand all the factors that may impact on achieving your desired results.



**MARKS4WD**

385-393 LOWER DANENONG ROAD,  
DINGLEY, VICTORIA, 3172  
A.B.N. 28 163 842 829

DRAWN	GDK 28/04/2022	TITLE: Throttle Pedal Bracket - VZ-VE LS2/3 to 05+ Hilux	REV No.
DRAWING CHECKED	PAM 28/04/2022	SCALE: 0.75:1 DRAWING/PART NUMBER	0
FINISHED WEIGHT 0.72 kg		DRAWING 1 of 1	MFK40385

### **Step 1 Remove Factory Toyota Throttle Pedal Assembly**

Remove original Toyota throttle pedal assembly.

### **Step 2 Install Marks4WD MFC40385 Throttle Pedal Bracket**

Bolt MFC40385 using the two (2) threaded holes located in the vehicle's floor.

### **Step 3 Install VE Throttle Pedal**

Install your VE throttle pedal using the three(3) supplied M6 x 1 x 20mm bolts.

Use a medium strength thread lock compound on bolt threads.

**See drawing MFK40385 on Page 2.**

### **Step 4 Throttle Pedal Wiring**

Install your wiring plug into the top of pedal. You have now completed the throttle pedal installation.

## **Terms and Conditions**

Thank you for purchasing this product manufactured by Marks 4WD Adaptors. Components supplied in this kit are designed and machined for a specific conversion only as outlined in this guide. Modifications to or substitution for any of the components without the written consent of Marks 4WD Adaptors will void any possible warranty or return privileges.

The following instructions are intended as a guide and only for Marks 4WD Adaptors kits. If you do not fully understand the steps, modifications or changes required to complete the conversion, contact our sales department for more information. We recommend that you purchase a service manual pertaining to your vehicle for specific torque values, wiring diagrams and other related information.

## **Contact Information**

Web: <http://www.marks4wd.com/>  
Email: [sales@marks4wd.com](mailto:sales@marks4wd.com)  
Phone: +61 3 9552 6555  
Address: 385-393 Lower Dandenong Rd  
Dingley, Victoria, 3172  
Australia